
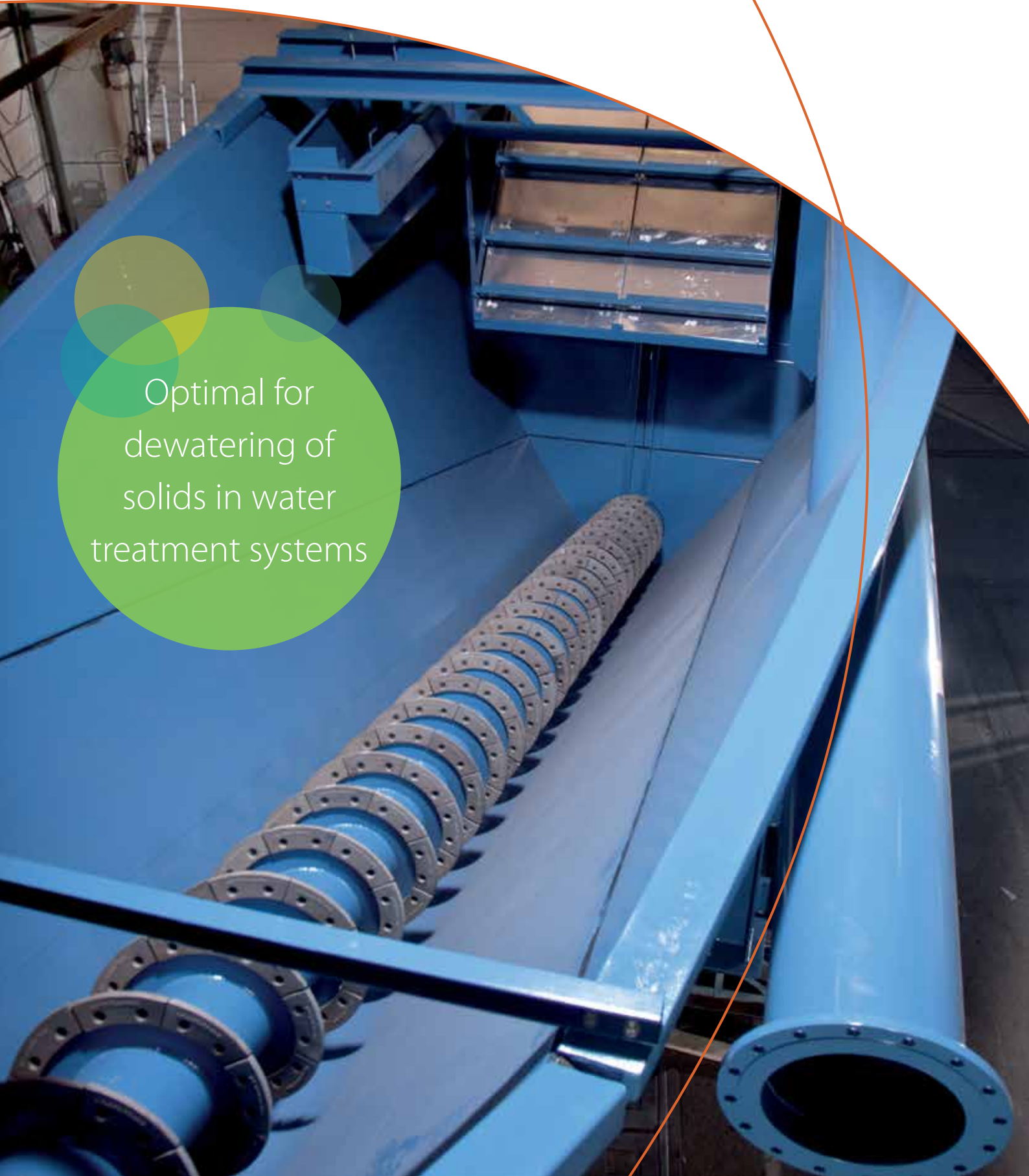
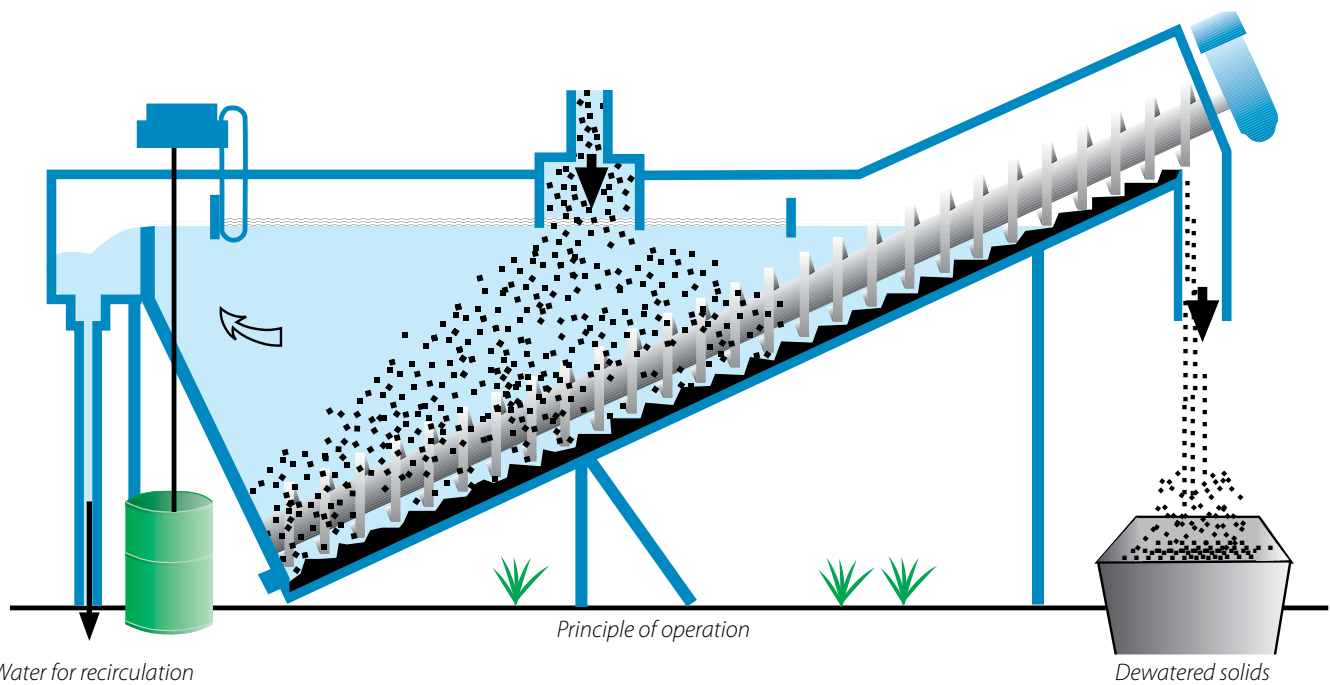


Spiral dewaterer

A series of overlapping green circles of varying shades (light green, medium green, and dark green) are positioned on the left side of the image, partially overlapping the text area.

Optimal for
dewatering of
solids in water
treatment systems





Spiral dewaterer – optimal for dewatering of slag and mill scales

Metso spiral dewaterer consists basically of an open trough with arrangements for collection of the products.

The inlet flow is evenly spread out through a feed distributor. Coarse material settles and is continuously removed by means of the transport spiral.

The material will be dewatered by drainage in the upper part of the spiral before discharge.

The discharge launder for the dewatered material is easily adjusted between two positions, allowing alternative discharge into two separate bins.

Washing effluents coming from the steel industry with high flows and a low to moderate content of well defined solids like mill scales and slag has been proven optimal for the spiral dewaterer. In the sedimentation tank the wash water is reclaimed and sent back to the washing

operation again. The solids are removed by and dewatered in the discharge spiral and can be sent to recycling if this is considered of value.

Robust design fo reliable operation

Like the spiral classifier the spiral dewaterer consists basically of an open tank for sedimentation of solids and a transportation spiral for removal and dewatering of the settled product.

The screw comes in two sizes depending on machine size and has optional single or double pitch depending on process requirements.

The spiral flights are welded directly to the spiral shaft. The flight wear shoes are made of high chrome iron and are bolted to the flights. The submerged bearing assembly is of grease purged type and is lubricated every second week. The bearing pack can be disassembled and replaced without lifting the spiral out of the tank. Hydraulic spiral lifting device can be supplied as an option. The drive consists of an electric motor, V-rope drive and speed reducer for reliable operation at low spiral speeds needed for low wear and improved dewatering.



Discharge of dewatered material



Feed distribution in a SD60-200



Large pool area – for high flow applications

Typically for the spiral dewaterer is that the tank area is larger than for the spiral classifiers. This enables these machines to take on high flows with limited solids content, applications very common for different Industrial washing effluents. With the addition of inclined plate packs in the tank this gives settling areas from 8 up to 100 m² and flow rates up to 1600 m³/h.

Oil skimmer as option

In some applications the feed contains oil and grease. These are floating products reporting to the clear water overflow. A special designed oil skimmer can be supplied for removal of these floating products.

Easy to install and maintain

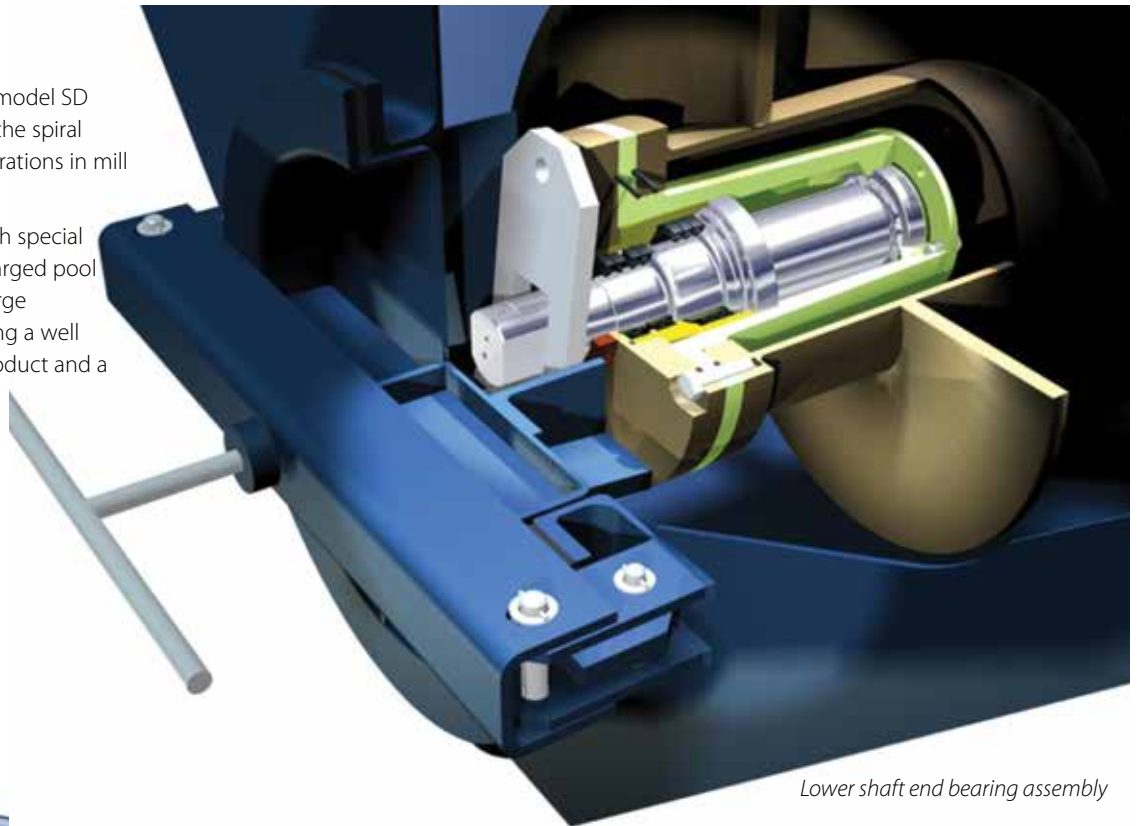
The spiral dewaterer is generally delivered as a prefabricated unit complete with stairs, handrails and platforms. The larger units may in some cases be delivered in parts for erection on site. After erection on a levelled foundation only power and pipes need to be connected.

The discharge launder for the dewatered product is then positioned over the discharge bin or bins as the launder can be adjusted in two positions.

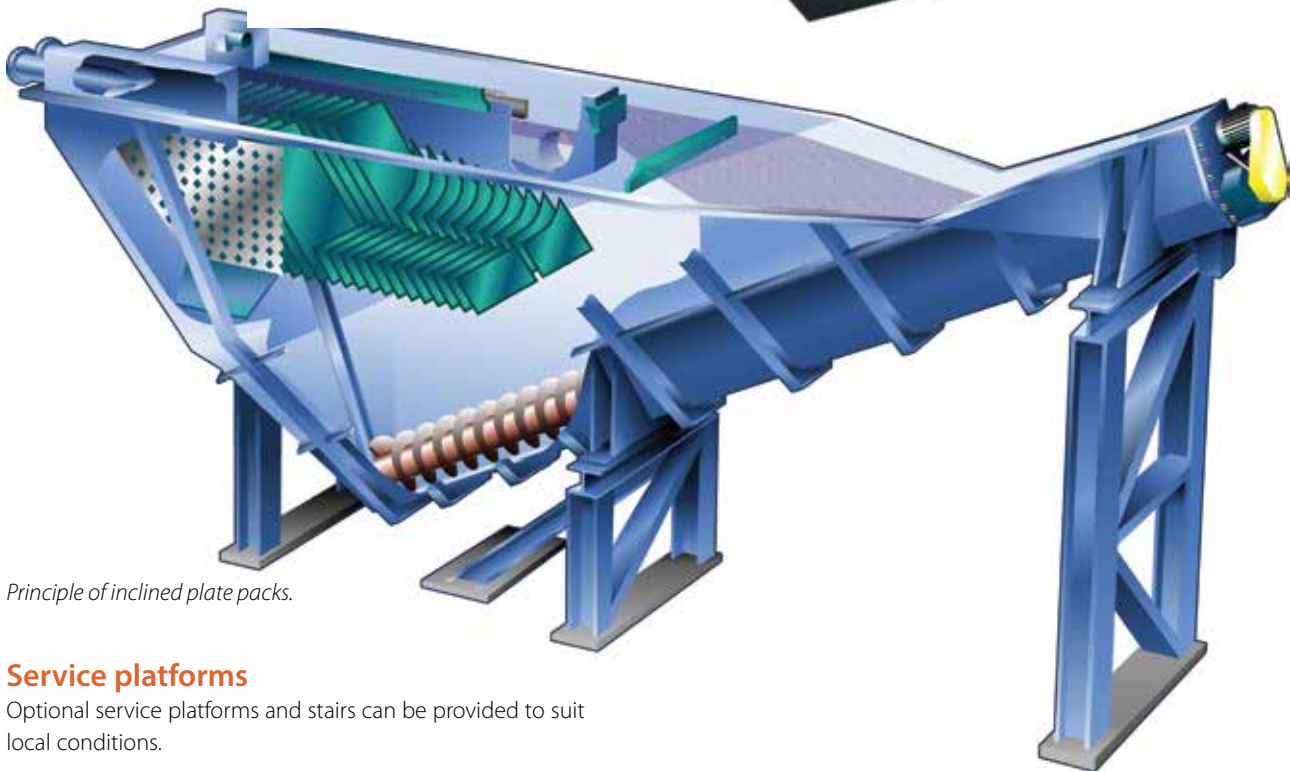
Spiral Dewaterer model - SD

Metso spiral dewaterer model SD is a robust evolution of the spiral classifier for reliable operations in mill scale handling.

The spiral dewaterer with special designed spiral and enlarged pool area is able to handle large flows of effluents, offering a well dewatered mill scale product and a clear overflow (typically 100 ppm).



Lower shaft end bearing assembly



Principle of inclined plate packs.

Service platforms

Optional service platforms and stairs can be provided to suit local conditions.

Inclined plate packs

In order to increase the sedimentation area of the tank, the spiral dewaterer can be supplied with plate packs. The plates are arranged in two steel frames, easy to remove if required.

Hydraulic spiral lifting device

If discharge of solids is intermittent whilst the feed is continuous, a hydraulic spiral lifting device can be supplied as an option.

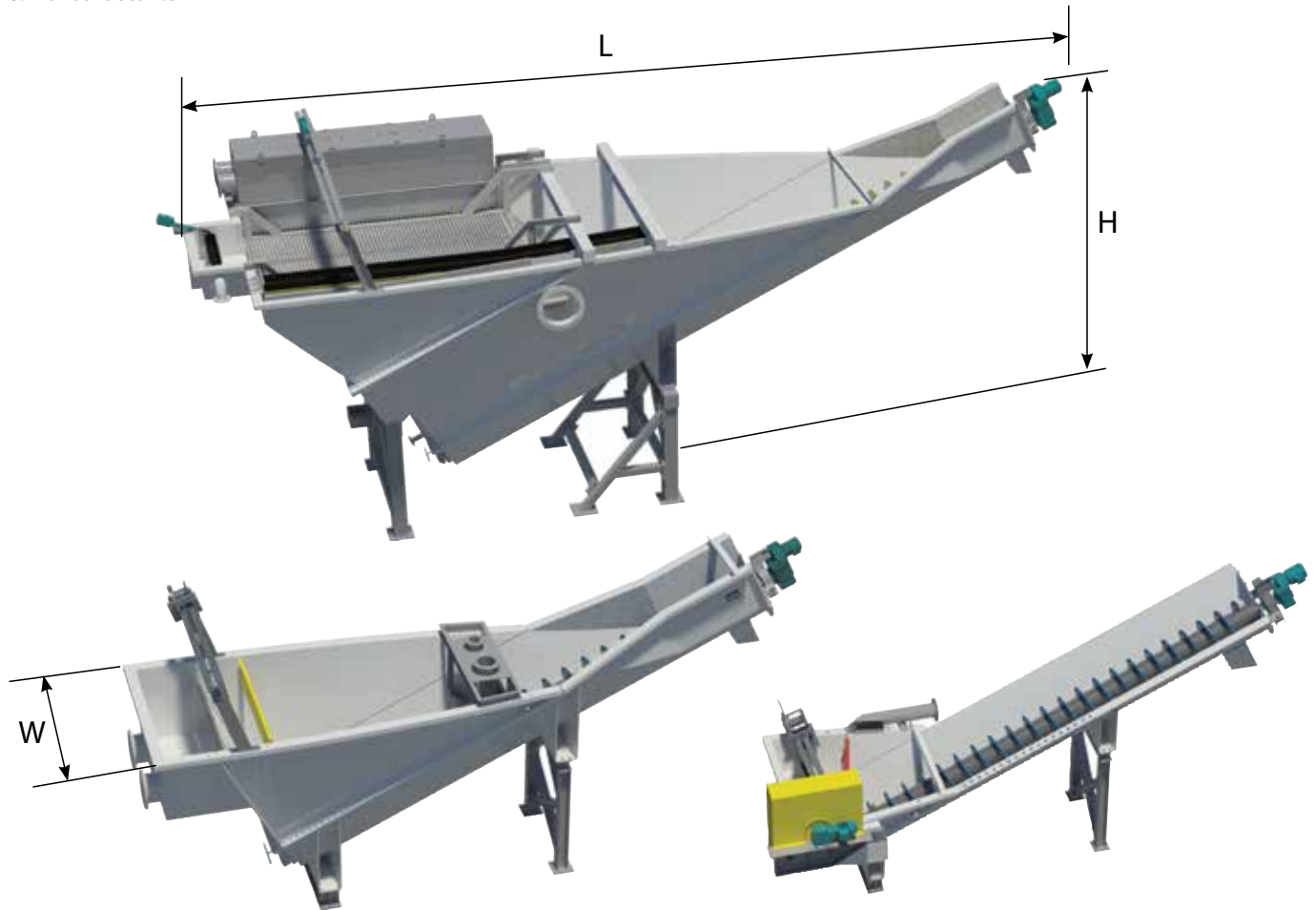
Bearings

The submerged bearing assembly is of grease purged type and is lubricated every second week. The lower end bearing pack can be disassembled and replaced without lifting the spiral out of the tank. The upper end of the spiral is provided with lower end bearing pack can be disassembled and replaced without lifting the spiral out of the tank. The upper end of the spiral is provided with a spherical roller bearing in a standard bearing housing.

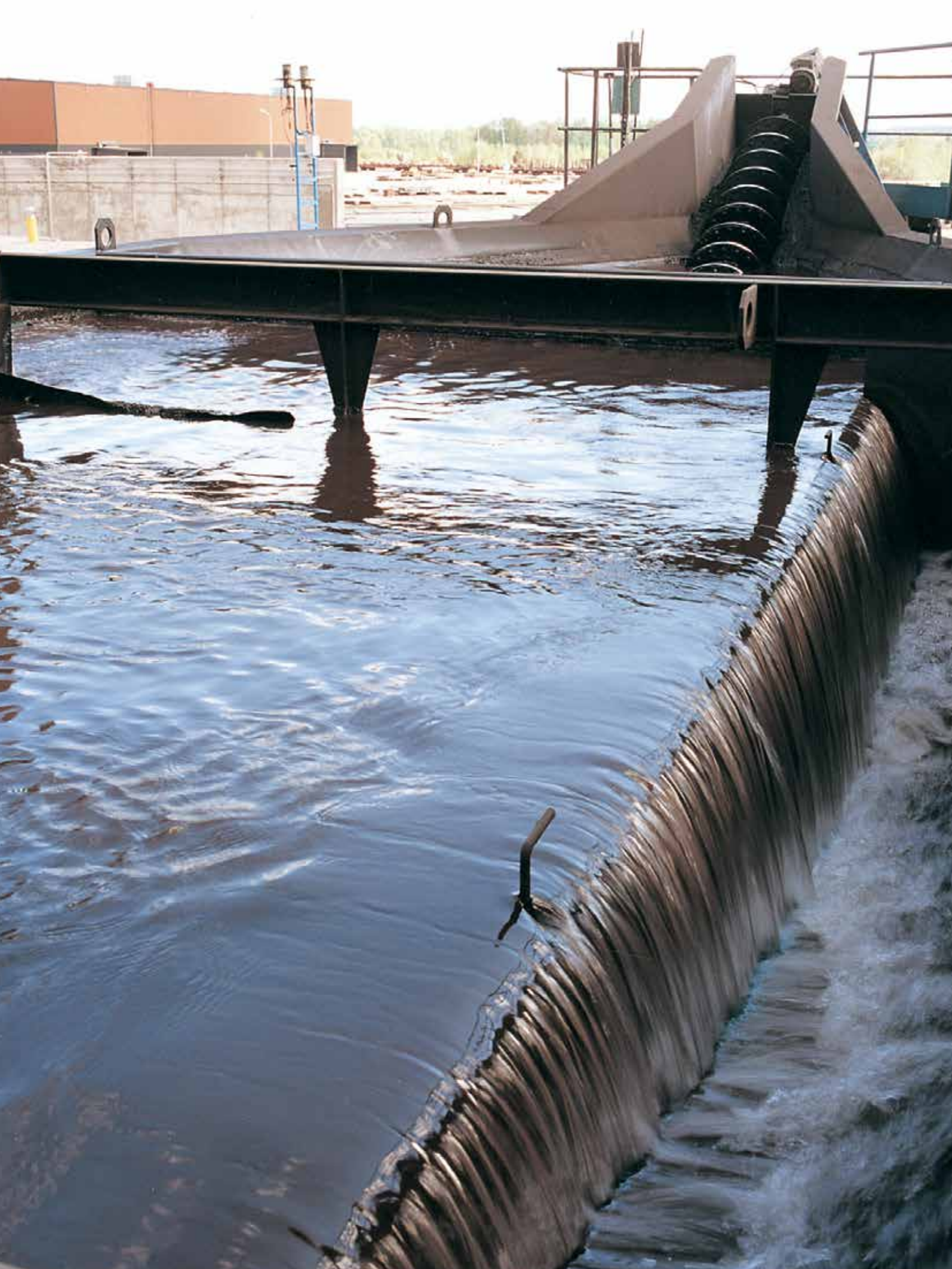
Technical specifications

Standard options:

1. Stairs and service platform
2. Oil skimmer
3. Manual decanter



Model	H mm (inch)	L mm (inch)	W mm (inch)	Power kW/hp	Weight nominal ton (empty)	Tank volume m ³ (ft ³)
SDC45-3	3450 (136)	6700 (264)	2000 (79)	1.5 (2)	2,3	1.4/1.8 (49/64)
SDC45-5	3450 (136)	6700 (264)	2150 (85)	1.5 (2)	2,5	3,5/4,2 (123/148)
SDC45-7	3450 (136)	6700 (264)	2200 (87)	1.5 (2)	2,7	5,9/6,6 (208/233)
SDC60-10	4550 (179)	9200 (362)	2620 (103)	1.5 (2)	6,5	10/13 (353/459)
SDC60-20	5550 (218)	11550 (455)	3520 (139)	3 (4)	9,5	25/30 (883/1059)
SDC60-40	6450 (254)	14100 (555)	4880 (192)	4 (4)	17	60/70 (2119/2472)
SDC60-100	6450 (254)	14100 (555)	4880 (192)	4 (5)	18,5	60/70 (2119/2472)
SDC60-40/100	6450 (254)	14100 (555)	4880 (192)	4 (5)	19	60/70 (2119/2472)
SDC60-200	6450 (254)	14100 (555)	4880 (192)	4 (5)	20	60/70 (2119/2472)





- **Metso Sweden AB**
Norrängsgatan 2, SE-733 38 Sala, Sweden, Phone: +46 224 570 00, Fax: +46 224 169 50
- **Metso Minerals Industries, Inc.**
2715 Pleasant Valley Road, York, PA 17402, USA, Phone: +1 717 843 8671
- **Metso Minerals (South Africa) (Pty) Ltd.**
Private Bag X2006, Isando, Johannesburg, 1600, South Africa, Phone: +27 11 961 4000, Fax: +27 11 397 2050
- **Metso Minerals (Australia) Ltd.**
Level 2, 1110 Hay Street, West Perth, WA 6005, Australia, Phone: +61 8 9420 5555, Fax: +61 8 9320 2500
- **Metso Minerals (India) Pvt Ltd**
1th floor, DLF Building No. 10, Tower A, DLF Cyber City, Phase - III, Gurgaon - 122 002, India, Phone: +91 124 235 1541, Fax: +91 124 235 1601
- **Metso Perú S.A.**
Calle 5 Nro. 144, Urb. Industrial Vulcano, Ate, Lima 03, Peru, Phone: +51 1 313 4366, Fax: +51 1 349 0913
- **Metso Minerals (Chile) S.A.**
Av. Los Conquistadores 2758, - Piso 3, Providencia, Santiago, Chile, Phone: +56 2 370 2000, Fax: +56 2 370 2039
- **Metso Brasil Indústria e Comércio Ltda.**
Av. Independência, 2500 Éden, 18087-101 Sorocaba-SP - Brazil, Phone: +55 15 2102 1300

www.metso.com
E-mail: minerals.info@metso.com



Metso Corporation, Fabianinkatu 9 A, P.O. Box 1220, FI-00101 Helsinki, Finland, tel. +358 20 484 100, fax +358 20 484 101, www.metso.com