

CABLEPRO® CABLE PROTECTOR FUSES RATED 32V

Available in AWG and metric cables

RoHS



Description

The CABLEPRO® fuse is designed to replace conventional wire fusible links in high current automotive applications. The slim package of the CABLEPRO® and the predictable and reliable performance characteristics (similar to MEGA® fuse) make this far superior over wire fusible links. Interrupting rating 2000A @ 32 VDC. CablePro is not a sealed product. To seal it a shrink tube should be used.

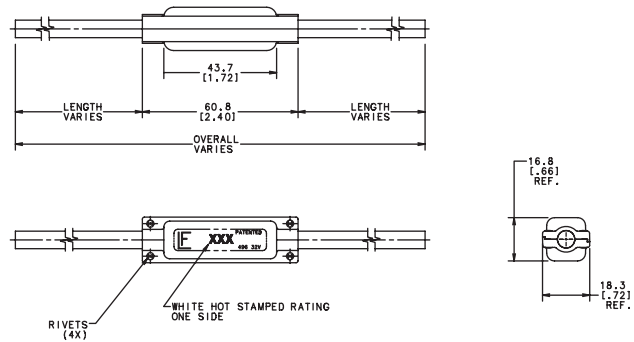
Specifications

Voltage Rating:	32 VDC
Cable Types Available	SAE J1127 STX , SAE J1128 TXL , ISO6722: Type FL2G
Interrupting Rating:	2000A @ 32 VDC
Operating Temperature Range:	-40°C to + 125°C

Available with UL recognized in 60A, 100A, 150A, 200A at 32V

Dimensions

Dimensions in mm



Time-Current Characteristics

% of Rating	Opening Time Min / Max (s)
100	360,000 s / -
135	120 s / 1800 s
200	10 s / 300 s
350	1 s / 15 s
600	0.30 s / 5 s

Ratings

Part Number	Current Rating	Wire Size	Cold Resistance	I²t
0496060_1	60 A	5mm ² (10AWG)	0.920 mΩ	-
0496080_	80 A	8mm ² (8AWG)	0.689 mΩ	-
0496100_1	100 A	8mm ² (8AWG)	0.460 mΩ	-
0496125_	125 A	13mm ² (6AWG)	0.390 mΩ	-
0496150_1	150 A	19mm ² (4AWG)	0.346 mΩ	-
0496175_	175 A	19mm ² (4AWG)	0.268 mΩ	-
0496200_1	200 A	19mm ² (4AWG)	0.173 mΩ	-
0496200_1	200 A	25mm ²	-	-

Note 1: Short circuit protectors only.
Contact Littelfuse for complete part numbers.