



WV118-2000 (non-latching)  
WV118-2001 (latching)

# ULTRA SLIMPAK® II

## WV118

### DC Powered RTD Input Limit Alarm

Provides Relay Contact Closures  
at a Preset Temperature Level



- Programmable HI or LO, Failsafe or Non-failsafe
- Improved Accuracy
- Adjustable Deadband
- Bussed Power with Plug-in Power Clips
- Removable Terminals for Easy Service

- Touch Cal for Best Stability and Accuracy
- RoHS Compliant
- LED Trip and Input Indicators
- Optional E-mail Notification of Alarms
- Supports 2-Wire and 3-Wire RTDs

#### Description

The Ultra SlimPak II is an exciting new line of isolating signal conditioners from Action Instruments with greater accuracy and better stability than virtually any other signal conditioners on the market today.

The WV118 is an RTD Limit Alarm with dual setpoints and two contact closure outputs. The input type and alarm functions are field configurable, offering maximum flexibility. The WV118 supports Pt100, in both 0.00385 and 0.00392 alphas, and Cu10 RTDs. All ranges allow the setpoints to be fully adjustable throughout the entire range.

The WV118-2000 contains two standard non-latching SPDT relays. When power is removed, the relays revert to their non-powered state. The WV118-2001 contains two latching relays. Whatever position the relays are in when power is removed is where they will remain when power is re-applied (a reset switch is provided to reset the relays after the alarm is no longer true). Both models are configurable as a single or dual setpoint alarm, with HI or LO trips. The WV118-2000 supports failsafe or non-failsafe operation. In failsafe operation the relay coil is energized when the process is below the HI setpoint or above the LO setpoint (opposite for non-failsafe). In the failsafe mode, a power failure results in an alarm state output.

#### Operation

Each of the alarm setpoints has a respective HI or LO deadband. Red LEDs will illuminate indicating an alarm condition. The trip will reset only when the process falls below the HI deadband or rises above the LO deadband. (The WV118-2001 requires pressing the reset switch in order to reset the relay after being tripped.) The deadband can be left at the minimum level (the factory default) or can be set to whatever level is desired.

#### Options

**C620** Factory calibration of input range, setpoints, and output relays.

#### Enhanced Diagnostics

Other than when executing the pushbutton calibration routine, the LEDs blink under the following conditions:

##### RUN (Green):

- On when unit is powered.
- Flashes at 2Hz when input is under range.
- Flashes at 8Hz when input is over range.

##### SETPOINT A (Red):

- On when Setpoint A is tripped.
- On when setting Setpoint A.
- Flashes while calibrating the input level.

##### SETPOINT B (Red):

- On when Setpoint B is tripped.
- On when setting Setpoint B.
- On while calibrating the input level.

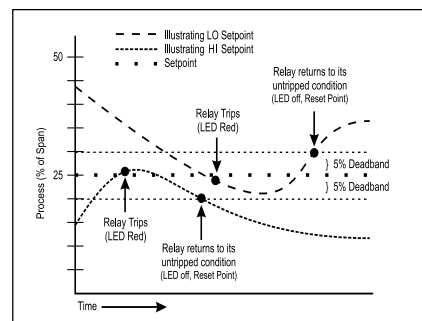


Figure 1: Limit alarm operation and effect of deadband.

An Under range condition exists when the signal is lower than the operational low value by 5°C. An Over Range condition exists when the signal is higher than the operational high value by 5°C.

## Configuring Modules

Unless otherwise specified, the factory presets the Model WV118 as follows:

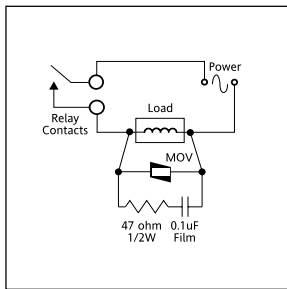
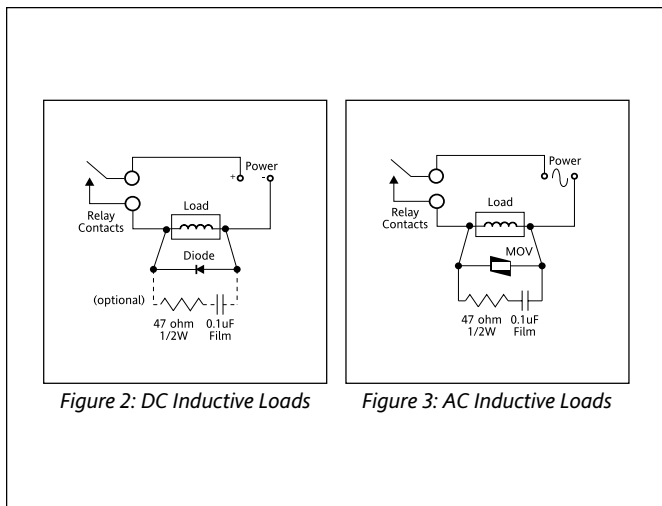
Input: Pt100  
 Range: -200°C to 600°C  
 Output: Dual, SPDT  
 Trip: A: HI, B: LO  
 Failsafe: No  
 Deadband: A, B: minimum  
 Remote Cal: No

- For other ranges, refer to the SWITCH SETTINGS table (see Figure 4). Reconfigure switches S1 and S2 for the desired input type and range.
- Set position 1 of S2 to ON if a WVC16 will be utilized and remote calibration capability is desired.
- Set position 2 and 3 of S2 to ON for a Hi trip setpoint or to OFF for a Low trip setpoint.
- Set position 4 of S2 to ON for failsafe operation (e.g. alarm trips upon power failure) or OFF for non-failsafe operation (-2000 only).

It is also possible to remotely select the setpoints using an Ethernet connection and the optional WVC16 WebView Communications Interface module.

## Relay Protection and EMI Suppression

When switching inductive loads, maximum relay life and transient EMI suppression is achieved using external protection (see Figures 2 & 3). Place all protection devices directly across the load and minimize all lead lengths. For AC inductive loads, place a properly-rated MOV across the load in parallel with a series RC snubber. Use a 0.01 to 0.1mF pulse film capacitor (foil polypropylene recommended) of sufficient voltage, and a 47ohm, 1/2W carbon resistor. For DC inductive loads, place a diode across the load (PRV > DC supply, 1N4006 recommended) with (+) to cathode and (-) to anode (the RC snubber is an optional enhancement).



## Calibration

See the calibration flowchart in Figure 6. The complete calibration procedure is contained in the Installation & Calibration Instructions document, which is available on our website ([www.actionio.com](http://www.actionio.com)). You can also obtain it by telephoning Action technical support (703-669-1318).

Note that Custom Calibration (option C620) is available from the factory (settings **MUST** be within the units specifications). For a C620, specify the following:

- RTD type and temperature range.
- Setpoint A trip point and reset point.
- Setpoint B trip point and reset point.
- Failsafe (ON/OFF)

Note that if a deadband entry is not specified, the default setting of 0.25% will be used.

Function	S1						
	1	2	3	4	5	6	7
<b>Pt100 Input</b>							
-200 to 600 C	-	-					
-200 to 260 C	-	-	■				
-200 to -100 C	-	-	■	■			
-50 to 100 C	-	-			■		
-18 to 300 C	-	-	■	■	■		
<b>Cu10 Input</b>							
-200 to 260 C	-	-	■	■			
-200 to 100 C	-	-			■		
-200 to -100 C	-	-	■	■			
-50 to 100 C	-	-			■		
-18 to 260 C	-	-	■	■	■		
<b>RTD Config</b>							
3 Wire	■						
2 Wire		■					
<b>RTD Alpha</b>							
Pt 0.00385	-	-	-	-	-	-	-
Pt 0.00392	-	-	-	-	-	-	■

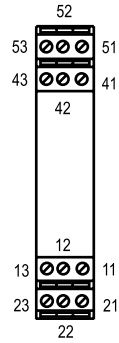
Function	S2						
	1	2	3	4	5	6	7
<b>RTD Type</b>							
Pt100	-	-	-	-			
Cu10	-	-	-	-	■	■	
Remote Cal Enable	■	-	-	-	-	-	-
Failsafe	-	-	-	■	-	-	-
A Hi/Low (Hi)	-	■	-	-	-	-	-
B Hi/Low (Hi)	-	-	■	-	-	-	-

Key: ■ = 1 = ON or Closed; - = n/a

Figure 4: Switch Settings

Default Switch Settings



Pin	Description
11	N.O. Relay B
12	Com. Relay B
13	N.C. Relay B
21	DC Power (+)
22	DC Power (-)
23	No Connection
41	RTD Input (+)
42	RTD Input (-)
43	RTD Return
51	N.O. Relay A
52	Com. Relay A
53	N.C. Relay A

Figure 5: Wiring Connections

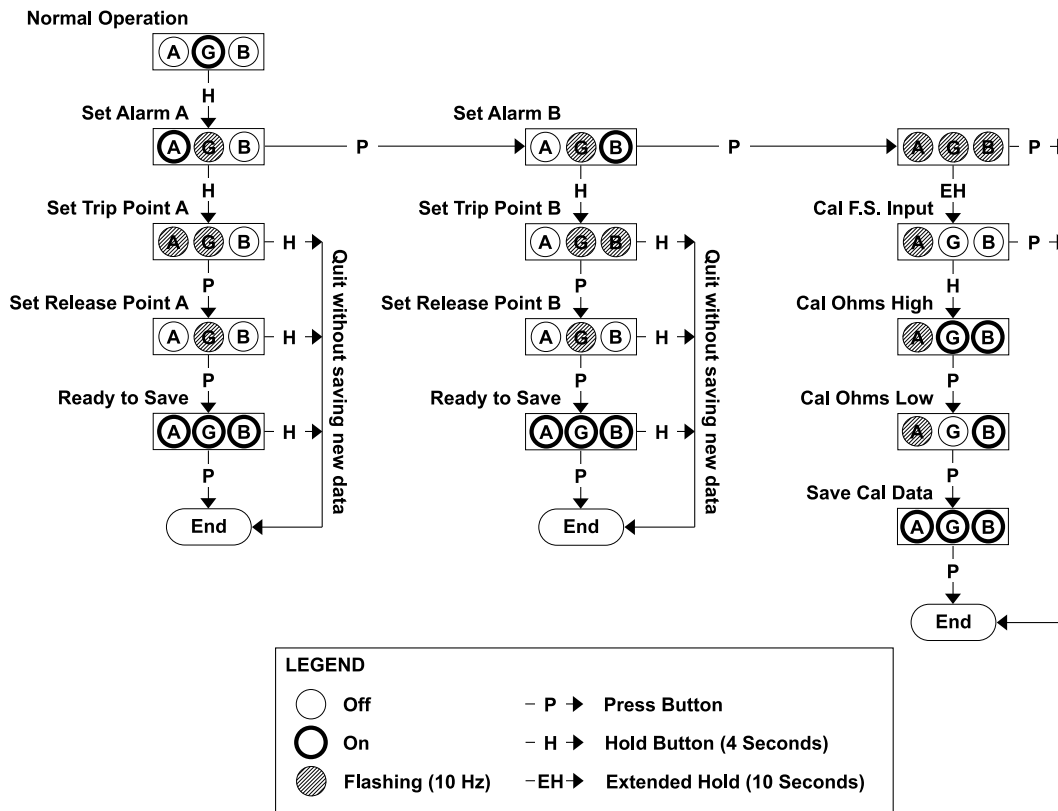


Figure 6: Calibration Flowchart

## Specifications

### Inputs:

Sensor Types: Pt100 0.00385, Pt100 0.00392, Cu10

**Sensor Connection:** 2-wire or 3-wire

### Ranges:

#### Pt100 RTDs:

°C	°F	alpha	range no.
-200 to 600	-32 to 1112	0.00385	1
-200 to 260	-328 to 500	0.00385	2
-200 to -100	-328 to -148	0.00385	3
-50 to 100	-58 to 212	0.00385	4
-18 to 300	0 to 572	0.00385	5
-200 to 600	-328 to 1112	0.00392	6
-200 to 260	-328 to 500	0.00392	7
-200 to -100	-328 to -148	0.00392	8
-50 to 100	-58 to 122	0.00392	9
-18 to 300	0 to 572	0.00392	10

#### Cu10 RTDs:

°C	°F	range no.
-200 to 260	-328 to 500	11
-200 to 100	-328 to 212	12
-200 to -100	-328 to -148	13
-50 to 100	-58 to 212	14
-18 to 260	0 to 500	15

### RTD Excitation:

Pt100: 0.45mA, max.; Cu10: 5.0mA, max.

### Lead Wire Resistance:

40% of the base sensor resistance maximum or 100 ohms (whichever is less)

### Lead Wire Effect:

Changing from 0 ohm lead resistance (each lead) to maximum allowed lead resistance: Error <1% of largest span PT and Cu ranges; -200 to 600°C for Pt and -200 to 260°C for Cu.

**Pushbutton Adjustment:** Effective zero offset: >95%

(Inputs >10mV): Effective span turn down: >95%

**Local Range Selection:** By DIP switch

### Response Time:

Dynamic Deadband: Relay status will change when proper setpoint/process condition exists for 100mSec.

Normal Mode: <250mSec (analog filtering)

### Setpoint Effectivity:

Setpoints are adjustable (by pushbutton) over 100% of the selected input span

**Repeatability:** ±0.05% of FS, ±1°C (constant temp)

**Relay Contacts:** 2 SPDT (2 form C) Relays, 1 relay per setpoint

**Current rating (general use):** 120VAC: 5A; 240VAC: 2A; 28VDC: 5A

**Material:** Gold flash over silver alloy

**Electrical Life:** 10<sup>5</sup> operations at rated load

### Reset Switch:

For unlatching the relay once the process is no longer in the alarm state (WV118-2001 only).

**Stability:** ±100ppm of full scale/°C (±0.01%/°C)

**Common Mode Rejection:** 120dB @ DC, >90dB @ 60Hz, or better

**Isolation:** >1800VDC or peak AC between input, output and power.

**ESD Susceptibility:** Capable of meeting IEC 801-2 level 3 (8kV)

### Humidity (non-condensing):

Operating: 15 to 95% RH (@45°C)

Soak: 90% RH for 24hrs (@60°C)

### Temperature:

Operating: 0 to 60°C

Storage: -25 to +85°C

**Power:** 9 to 30VDC, 1.0W typical, 2.0W max

**Host Module Interface:** IR link, same specs as Phase 1 modules

**Size:** DIN rail case – refer to Dimensions drawing

### Environmental:

Operating Temperature: 0°C to +60°C (32 to 140°F)

Storage Temperature: -25°C to +85°C (-13 to 185°F)

Operating Humidity (non-condensing): 15% to 95%RH at 45°C

Storage Humidity: 90%RH at 60°C for 24 hours

### Agency Approvals (EMC & Safety):

UL recognized per standard UL508 (File No.E99775)

CE Conformance per EMC directive 2004/108/EC and Low Voltage directive 2006/95/EC (Input < 75VDC, only).

RoHS Compliant

Note that detailed installation instructions are available on our website.

## Ordering Information

### Specify:

- Model:  
**WV118-2000** (non-latching) or  
**WV118-2001** (latching)
- Optional Custom Factory Calibration (specify **C620**, see required settings under "Calibration, page 2).
- Accessories.

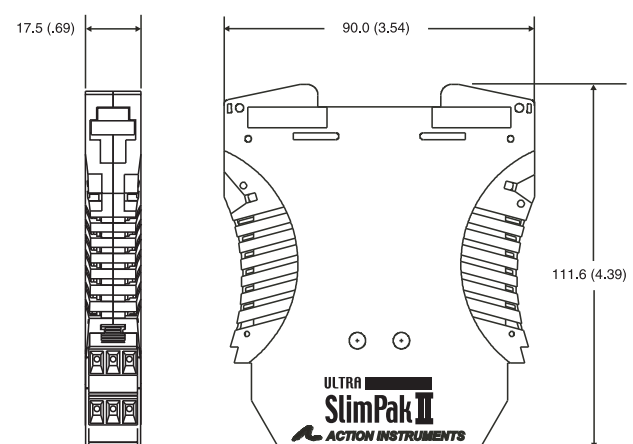
### Accessories

All WV Series modules will mount on standard TS35 (model MD03) DIN rail. In addition, the following accessories are available:

<b>WVC16</b>	Communications Interface
<b>MD03</b>	TS35 x 7.5 DIN Rail (2 meters)
<b>WV905</b>	24VDC Power Supply (0.5 Amp)
<b>H910</b>	24VDC Power Supply (1 Amp)
<b>H915</b>	24VDC Power Supply (2.3 Amp)
<b>MB03</b>	End Bracket for MD03
<b>C650</b>	Utility software for WVC16

## Dimensions

Dimensions are in millimeters (inches)



**Eurotherm**®

by **Schneider Electric**

Schneider Electric Systems USA, Inc.

44621 Guilford Drive, Suite 100

Ashburn, VA 20147

703-724-7300

info.eurotherm.us@schneider-electric.com



Printed on recycled paper

www.eurotherm.com

## Factory Assistance

For additional information on calibration, operation and installation contact our Technical Services Group:

**703-724-7314**

US.Support@schneider-electric.com

721-0866-00-E 02/09 Copyright© Eurotherm, Inc 2009