

SSLM1D23BD

solid state relay - DIN rail mount - input 4-28 V DC, output 5-60 V DC, 3A



Main

| | |
|---------------------------|-------------------|
| Range of product | Zelio Relay |
| Product or component type | Solid state relay |
| Device short name | SSLM |
| Network number of phases | 1 phase |

Complementary

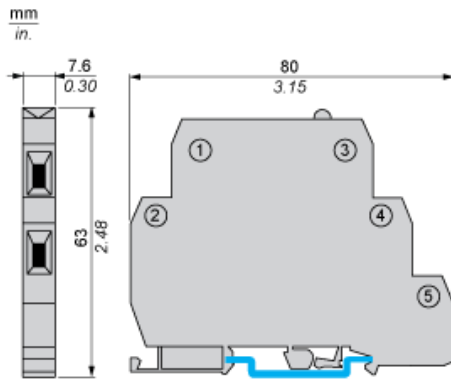
| | |
|---------------------------------|--|
| Mounting support | Symmetrical DIN rail |
| [In] rated current | 3 A |
| Output voltage | 5...60 V DC |
| Control circuit voltage | 4...28 V DC |
| Contacts type and configuration | 1 NO |
| Tightening torque | 0.6...0.8 N.m |
| Connections - terminals | Screw terminals : 1 x 0.2...1 x 5.26 mm ² (AWG 24...AWG 10) |
| Switching voltage | 4 V DC turn-on |
| Load current | 0...3 A |
| Voltage drop | 1 V on-state |
| Leakage current | <= 1 mA off-state |
| Response time | 40 µs turn-off 40 µs turn-on |
| Overvoltage category | III |
| Width | 7.5 mm |
| Height | 80 mm |
| Depth | 63 mm |
| Product weight | 0.03 kg |

Environment

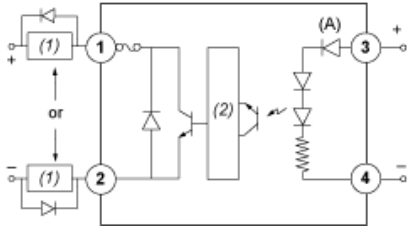
| | |
|---------------------------------------|---|
| Dielectric strength | 4000 V for input/output |
| Pollution degree | 2 |
| Standards | UL 508 CSA C22.2 No 14 EN 60947-4-3 |
| Product certifications | CSA UL EAC |
| Marking | CE CSA UL EAC |
| IP degree of protection | IP20 |
| Ambient air temperature for operation | 0...70 °C |

The information provided in this documentation contains general descriptions and/or technical characteristics of the performance of the products contained herein. This documentation is not intended as a substitute for and is not to be used for determining suitability or reliability of these products for specific user applications. It is the duty of any such user or integrator to perform the appropriate and complete risk analysis, evaluation and testing of the products with respect to the relevant specific application or use thereof. Neither Schneider Electric Industries SAS nor any of its affiliates or subsidiaries shall be responsible or liable for misuse of the information contained herein.

Dimensions



Wiring Diagram



- 1,2 : Field VDC (Supply through Load)
- 3, 4 : Vcc
- (1) Load
- (2) Amplifier
- (A) LED