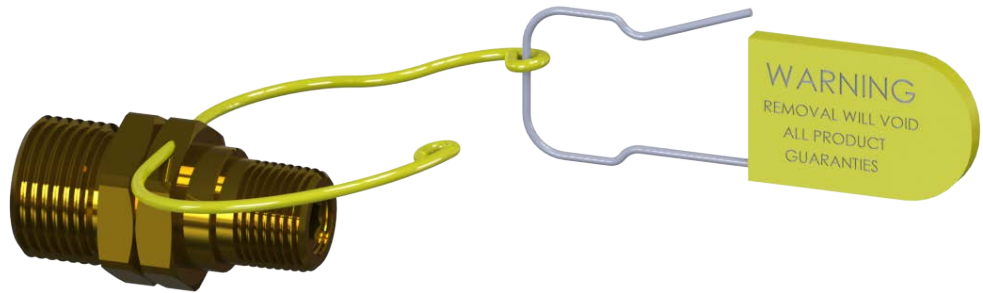


# CYLINDER CHECK VALVE



**Description**

The Cylinder Check Valve is used on the gas use outlet of industrial cryogenic liquid cylinders to prevent back flow into the cylinder. The optional "Tamper Evident Restraint" provides a visual indication if removal of the connection has been attempted. Available in CGA 540 & 580 configurations.

**Features**

- Compact and rugged one piece body construction
- Optional "Tamper Evident Restraint" - lock wire and lockout tag
- Provides visual evidence of compliance
- High flow design exceeds maximum cylinder output
- Supplied cleaned and bagged for Oxygen Service
- 100% Factory Tested for leakage
- GLT Low Temperature Viton™ Seal

**Technical Data**

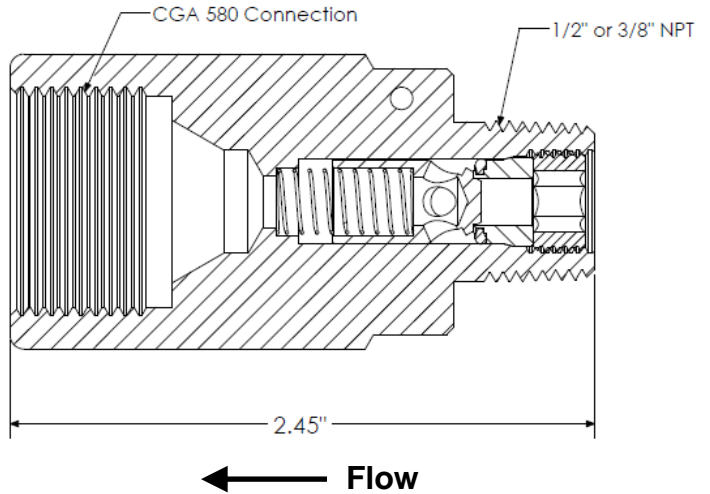
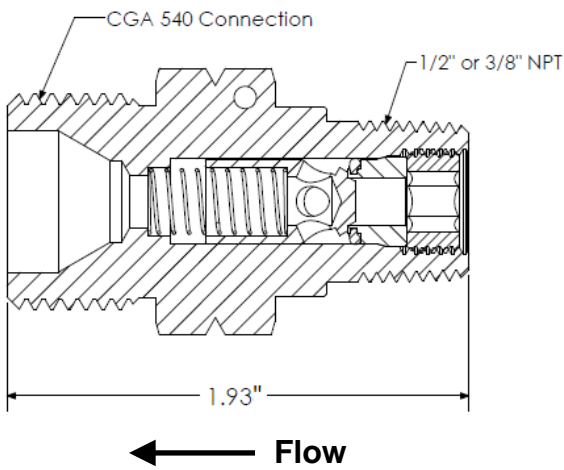
- Nominal Crack Pressure: 1 Psig (0.07 Bar)
- External Leakage: Zero leak
- Internal Leakage: Zero leak at 0.5 PSIG (0.03 bar) Back Pressure
- Cv (flow coefficient): 0.65
- Maximum Pressure: 3000 PSIG @ 150° F (206 bar @ 66° C)
- Proof Pressure: 5,000 PSIG (345 bar)

**Materials of Construction**

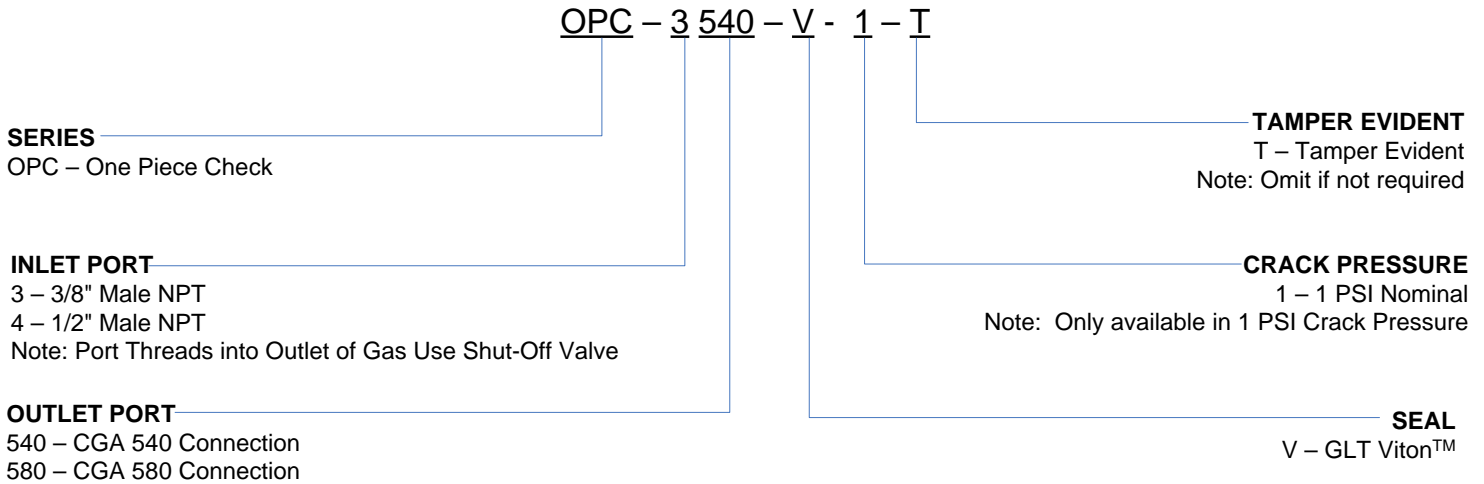
Component	Material
Body, Poppet, Seat Insert, Seat Locking Screw	Brass, ASTM B16
Spring	Phosphor Bronze, ASTM B159
O'Ring Seal*	GLT Viton™

\*Lubricated with Krytox™ GPL-205

# CYLINDER CHECK VALVE



## Ordering Information



Note: Viton™ and Krytox™ are trademarks of DuPont.

PROPER COMPONENT SELECTION – When specifying a component, the total system design must be considered to ensure safe and trouble-free performance. Intended component function, materials compatibility, pressure ratings, installation, environment and maintenance are the responsibility of the system designer.



[www.generant.com](http://www.generant.com)

1865 Route 23 South PO Box 768 Butler, New Jersey 07405 973.838.6500 Fax 973.838.4888