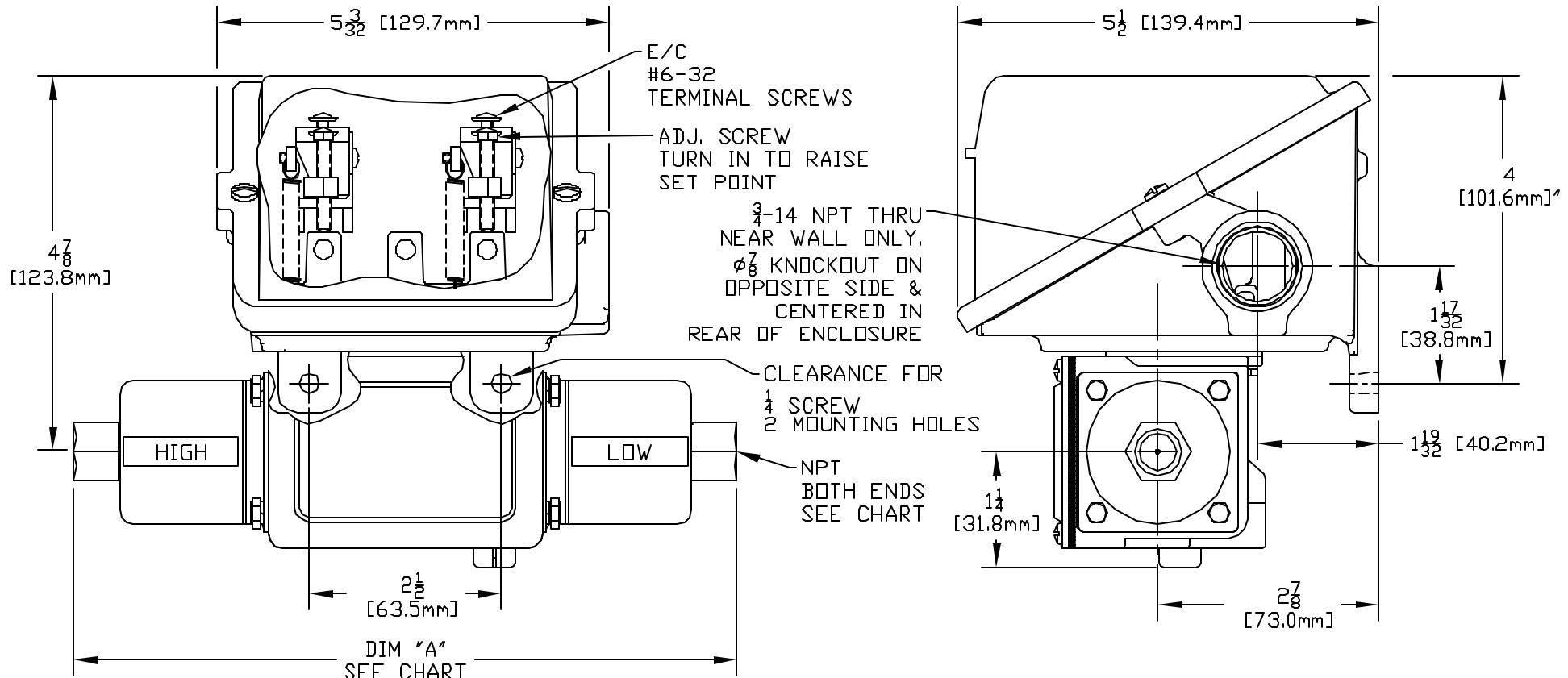


UL LISTED, CSA CERTIFIED, NEMA 4.
I & M SHEET IMP400.



| | | |
|---------------|------------------|-----|
| S147B & S157B | 9 7/16 [239.7mm] | 1/2 |
| 147 & 157 | 8 5/8 [219.1mm] | 1/4 |
| MODEL NOS. | DIM 'A' | NPT |


| | | | |
|---|-------|-----------|------------|
| 157 | S157B | 10 to 100 | 0.7 to 6.9 |
| 147 | S147B | 3 to 30 | 0.2 to 2.1 |
| MODEL NO. | | psid | bar |
| ADJUSTABLE RANGE | | | |
| LOW END OF RANGE ON FALL HIGH END OF RANGE ON RISE | | | |

| | | | | |
|-----------|--|---------|------|------|
| N | REDRAWN, UPDATED ENCLOSURE. ECN#E0821 | 6-28-04 | S.R. | HN |
| SYM | DESCRIPTION | DATE | DWN | APPD |
| REVISIONS | | | | |

| | |
|--|--------------|
| ORIGINAL DATE | 12-13-86 |
| DRWN | P. WEILER |
| CHKD | A.J. FLECCA |
| APPD | A. MINASSIAN |
| UNLESS OTHERWISE SPECIFIED DIMENSIONS ARE IN INCHES | |
| DO NOT SCALE THIS DRAWING | |

| | |
|-------|---------------------------------------|
| TITLE | J402K- 147 & 157, S147B & S157B |
| SCALE | 1:2 |

DF001D



UNITED ELECTRIC
CONTROLS COMPANY
WATERTOWN * MASSACHUSETTS

DWG NO
A-12787