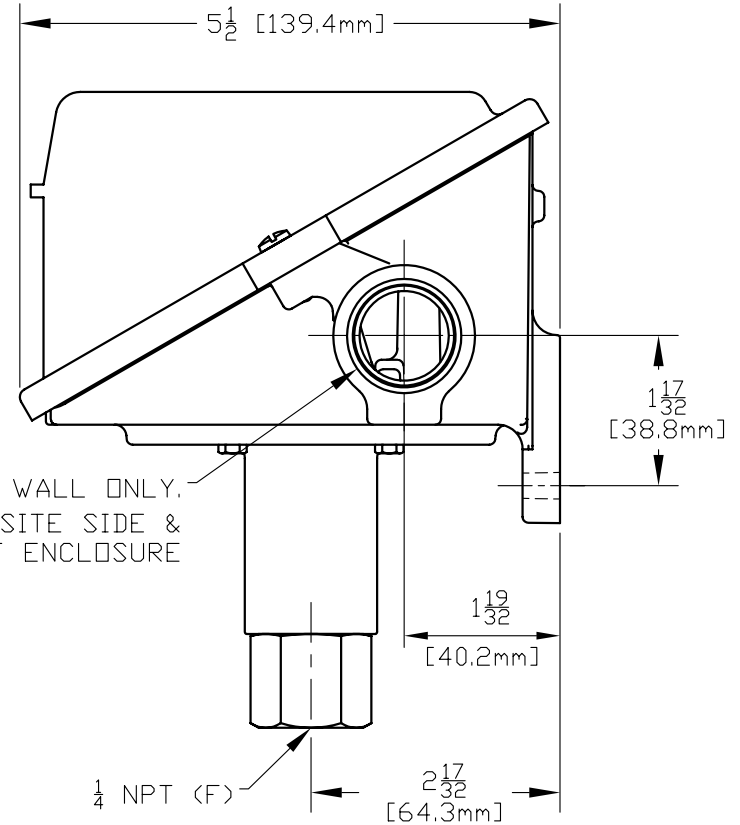
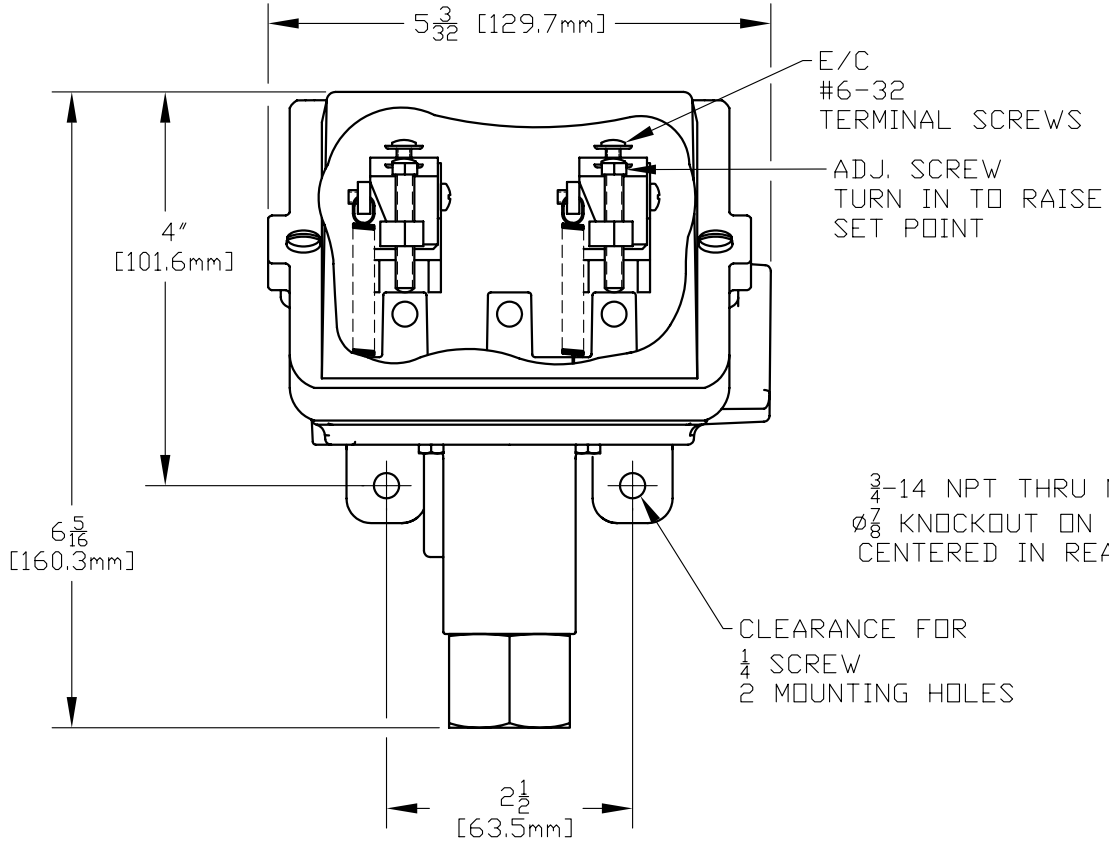


UL LISTED, CSA CERTIFIED, NEMA 4.
I & M SHEET IMP400.




| | | |
|-----------|---------------------------|---------------|
| 614 | 500 to 6000 | 34.5 to 413.7 |
| 612 | 200 to 3000 | 13.8 to 206.8 |
| 610 | 100 to 1000 | 6.9 to 68.9 |
| MODEL NO. | psi | bar |
| | ADJUSTABLE RANGE | |
| | LOW END OF RANGE ON FALL | |
| | HIGH END OF RANGE ON RISE | |

| SYM | DESCRIPTION | DATE | DWN | APPD |
|-----------|---------------------------------------|---------|------|------|
| W | DEL. VENT HOLE NOTE. ECN#E1269 | 6-23-05 | S.R. | LK |
| V | REDRAWN. UPDATED ENCLOSURE. ECN#E0821 | 6-28-04 | S.R. | HN |
| REVISIONS | | | | |

| | |
|--|---------------|
| ORIGINAL DATE | 11-5-87 |
| DRWN | J.CARTER |
| CHKD | N. MacKAY Jr. |
| APPD | A.MINASSIAN |
| UNLESS OTHERWISE SPECIFIED DIMENSIONS ARE IN INCHES | |
| DO NOT SCALE THIS DRAWING | |

| | |
|-------|----------------------------|
| TITLE | J402- 610, 612 & 614 |
| SCALE | 1:2 |

DF001D



UNITED ELECTRIC
CONTROLS COMPANY
WATERTOWN * MASSACHUSETTS

DWG NO
A-12315