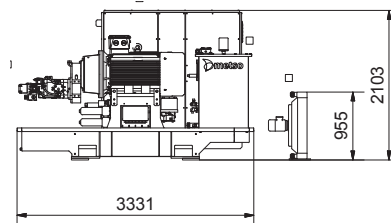
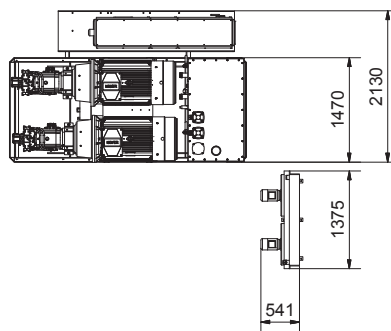
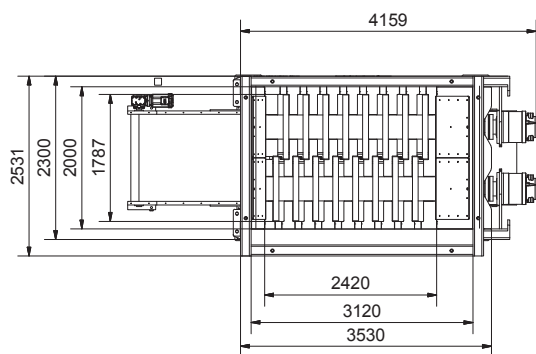
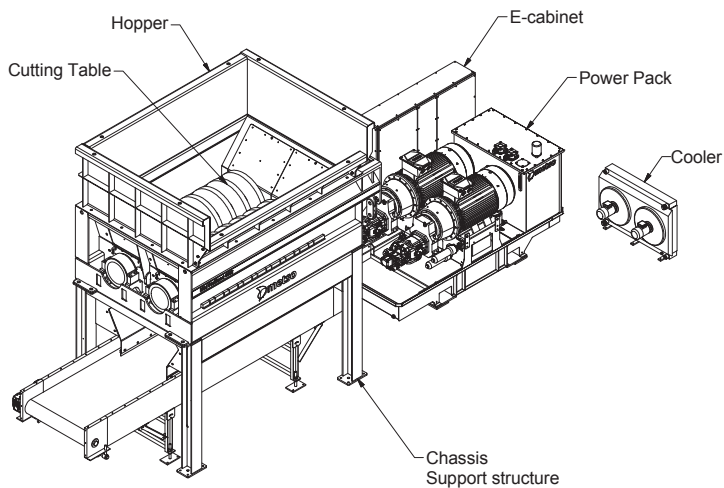
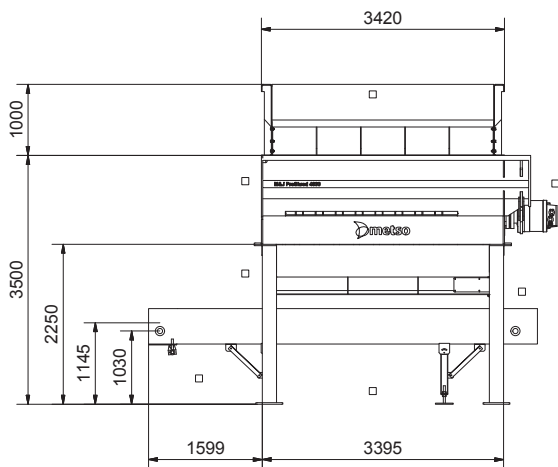


Waste Pre-Shredders from Metso Waste Recycling
M&J PreShred 4000S



M&J PreShred 4000S



Specification		
Overall dimension std without hopper (LxWxH)	mm	5536 x 2300 x 3500
Weight (total included standard conveyer)	ton	20.5 – 23.5
Standard colour	RAL	7011, 9002
Loading height (without hopper)	mm	3500
Cutting area	mm	2420 x 2000
Power pack		
Electric motor	kW	2x132 / 2x160 / 2x200
Electric control unit		PLC
Drive principle		Double hydrostatic transmission
Chassis		
Standard belt conveyer (LxW)	mm	5000 x 1200
Discharge height	mm	1030
Discharge width	mm	1200
Weight (included / exclusive conveyer)	ton	2.8 / 1.8

Cutting table



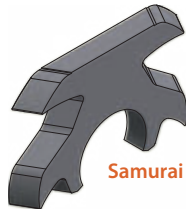
Butterfly



Dragon sword



Ninja star



Samurai

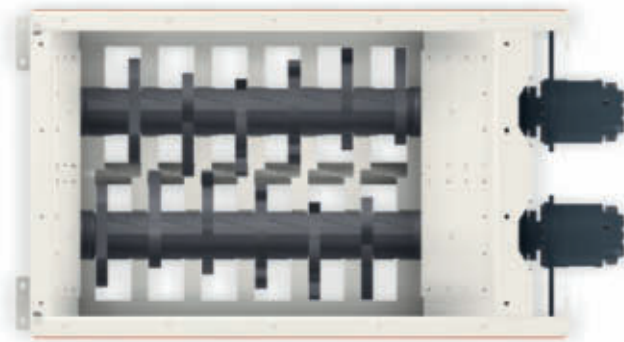


Tomahawk

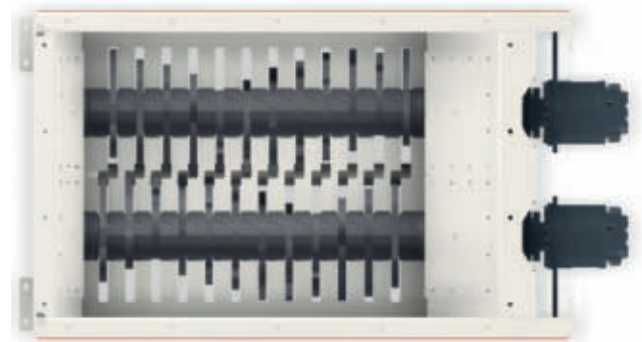


Standard

Cutting table 6 knives



Cutting table 12 knives



M&J PreShred 4000S

Cutting Table		
Number of shafts		2
Rotating speed*	rpm	16-41 / 27-56
Number of knives		6 / 8 / 9 / 10 / 12
Number of counter knives		12 / 16 / 18 / 20 / 24
Cutting area (LxW)	mm	2420 x 2000
Weight	ton	12.5 – 14.9
Grain size **		
6 knives	mm	<450
8 knives	mm	<300
9 knives	mm	<250
10 knives	mm	<200
12 knives	mm	<125
Capacity per hour ***		
Household waste	ton	Up to 100
Demolition wood	ton	Up to 70
Industrial waste	ton	Up to 35
Bulky waste	ton	Up to 50

* Standard / HDC ** 90% less than *** Depending on loading, grain size and density of the input material



For more information, contact your local Metso Waste Recycling representative, or contact your dealer directly.

Metso Denmark A/S
Vejlevej 5
DK-8700 Horsens
Denmark
Tel: +45 7626 6400
Fax: +45 7626 6449
recycling.info.dk@metso.com

www.metso.com/recycling

We reserve the right to make changes and improvements without notice, "M&J PreShred 4000S". Metso Waste Recycling, March 2017