

Drop connectors

Model number

DR461059A
Passive

DR465001A (DIN)
Passive

DR461017A
Protected

DR465005A (DIN)
Protected



Drop connector (passive or protected)

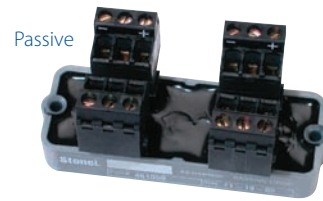
Drop connectors provide a reliable, safe method of connecting slave devices to the bus cable. Protected drop connectors limit the current passing from the bus to the drop leg to prevent fault conditions on the drop from affecting the bus.

Passive (2 drops)

- 8 amp capacity
- Direct mount or DIN rail mount available

Protected (1 drop)

- 8 amp capacity on bus trunk line
- Short circuit protection (240mA)
- LED indicates drop fault
- Automatically resets when drop fault is cleared

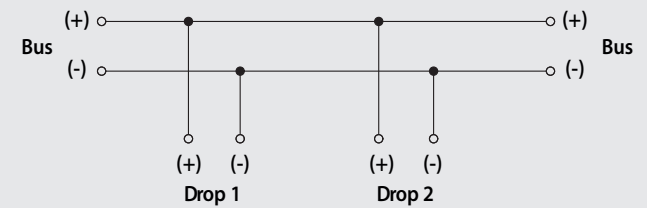


Specifications	
Maximum voltage	35 VDC
Maximum current (trunk)	8 amps
Voltage drop (trunk)	Negligible
Voltage drop (drop)	Passive: negligible Protected: < 1V
Trip current (drop)	Passive: no trip current Protected: 240 mA
Holding current (after trip)	Protected: 28 mA
Reset current level	Protected: current falls below 28 mA
Maximum devices per drop	Passive: no limit Protected: 1
Current consumption	None
Dimensions (L, W, H)	Passive: 75mm, 36mm, 40mm Protected: 75mm, 26mm, 40mm
Housing	Engineered resin
Operating temperature	-40° to +80°C (-40° to +176°F)

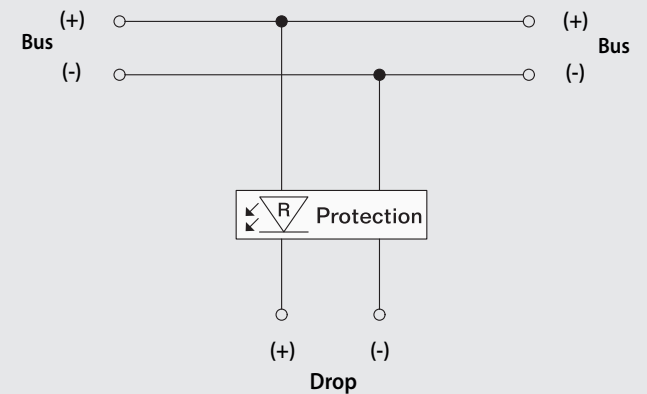


Schematic drawings

Passive

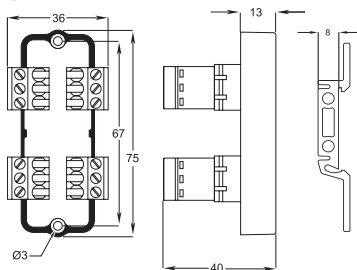


Protected



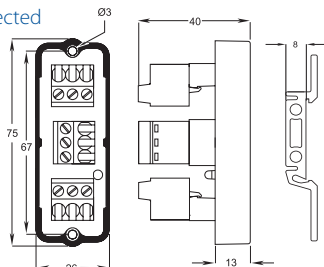
Dimensions (mm)

Passive



DIN rail clip only applies to DIN models.

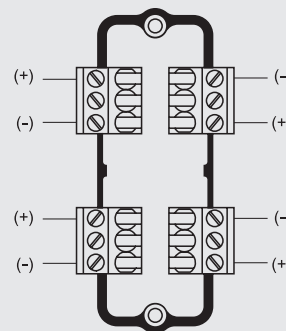
Protected



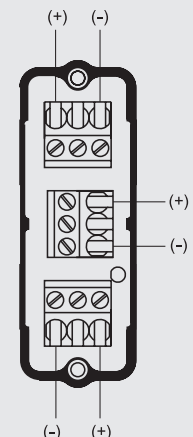
DIN rail clip only applies to DIN models.

Wiring diagrams

Passive



Protected



Drop connectors (DIN)

Model number

DR461075A
Passive

DR461072A
Protected



Multi-drop connector (4 drops)

Drop connectors provide a reliable, safe method of connecting field devices to the bus cable. Protected drop connectors limit the current passing from the bus to the drop leg to prevent fault conditions on the drop from affecting the bus. DIN rail mounting is standard.

Passive

- 8 amp capacity
- LED indicates bus power

Protected

- Short circuit protection
- LEDs indicate drop fault and bus power
- Automatically resets when drop fault is cleared



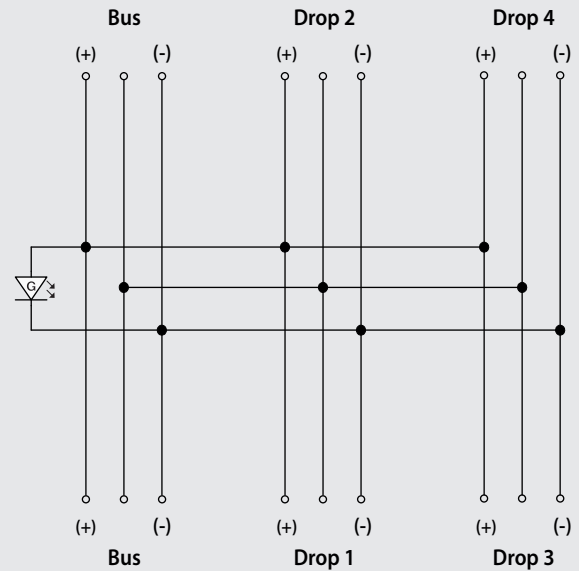
Passive

Protected

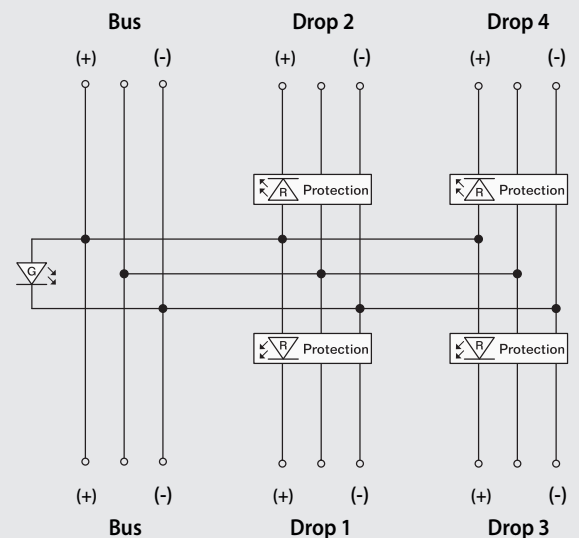
Specifications	
LED displays	Bus power on - green LED Drop short circuit - red LED (protected)
Maximum voltage	35 VDC
Maximum current (trunk)	8 amp
Voltage drop (trunk)	Negligible
Voltage drop (drop)	Passive: negligible Protected: 1 volt maximum
Trip current (drop)	Passive: no trip current Protected: 240mA
Holding current (after trip)	Passive: n/a Protected: 28mA
Reset current level	Current falls below 28mA
Current consumption	2mA
Dimensions (L, W, H)	113mm, 47mm, 68mm
Housing	Engineered resin
Operating temperature	-40° to +80°C (-40° to +176°F)

Schematic drawings

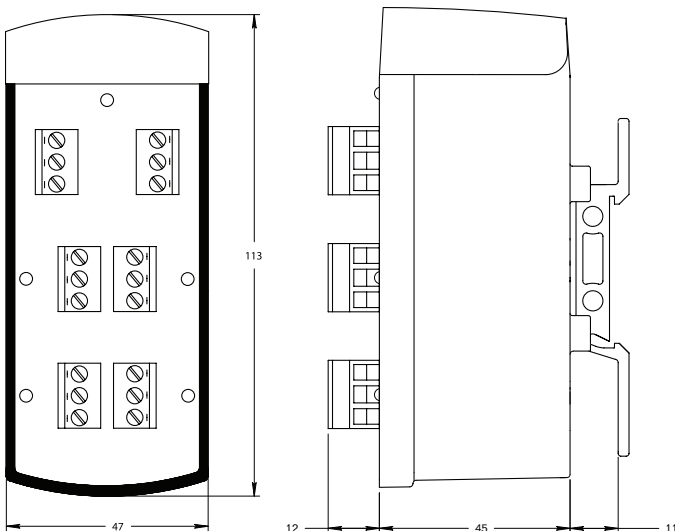
Passive



Protected



Dimensions (mm)



Drop connectors (DIN)

Model number

DR465036A
Passive

DR465040A
Protected



Multi-drop connector (6 drops)

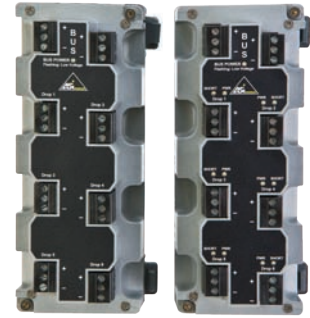
Drop connectors provide a reliable, safe method of connecting field devices to the bus cable. Protected drop connectors limit the current passing from the bus to the drop leg to prevent fault conditions on the drop from affecting the bus. DIN rail mounting is standard.

Passive

- 8 amp capacity
- LED indicates bus power

Protected

- Short circuit protection
- LEDs indicate drop fault, bus power, and drop power
- Automatically resets when drop fault is cleared



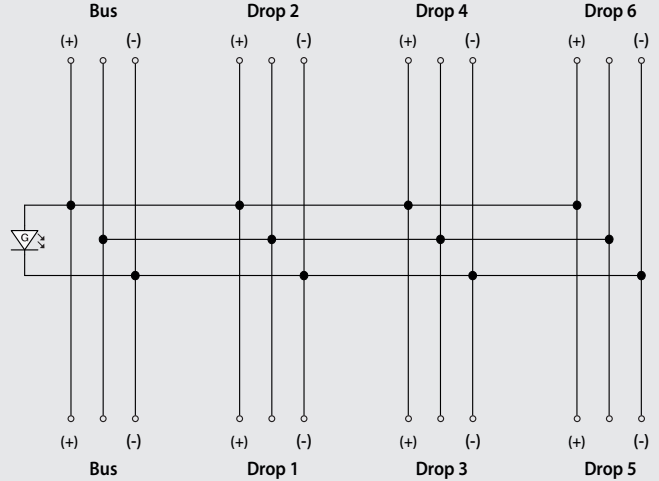
Passive

Protected

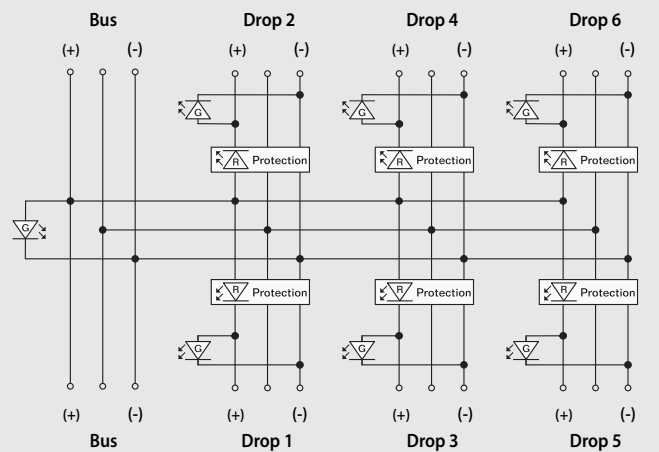
Specifications	
LED displays	Bus power on - green LED Drop power on - green LED (protected) Drop short circuit - red LED (protected)
Maximum voltage	35 VDC
Maximum current (trunk)	8 amp
Voltage drop (trunk)	Negligible
Voltage drop (drop)	Passive: negligible Protected: 1 volt maximum
Trip current (drop)	Passive: no trip current Protected: 240mA
Holding current (after trip)	Passive: n/a Protected: 28mA
Reset current level	Current falls below 28mA
Current consumption	20mA for all nodes
Dimensions (L, W, H)	165mm, 72mm, 56mm
Housing	Engineered resin
Operating temperature	-40° to +80°C (-40° to +176°F)

Schematic drawings

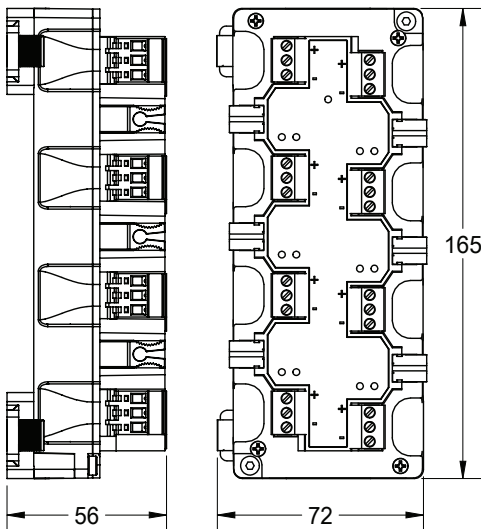
Passive



Protected



Dimensions (mm)



Drop connectors (DIN)

Model number
DR465044A
Switch protected



Multi-drop connector (6 drops)

Drop connectors provide a reliable, safe method of connecting field devices to the bus cable. Protected drop connectors limit the current passing from the bus to the drop leg to prevent fault conditions on the drop from affecting the bus. DIN rail mounting is standard.

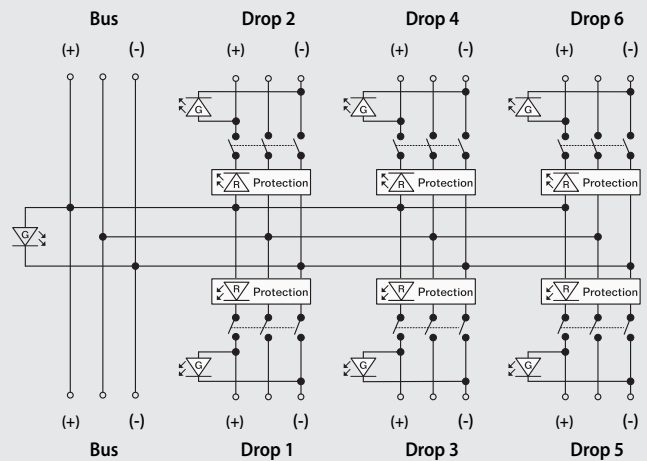
Switched protected

- Disconnects each drop
- LEDs indicate drop fault, bus power, and drop power status
- Short circuit protection
- Automatically resets when drop fault is cleared

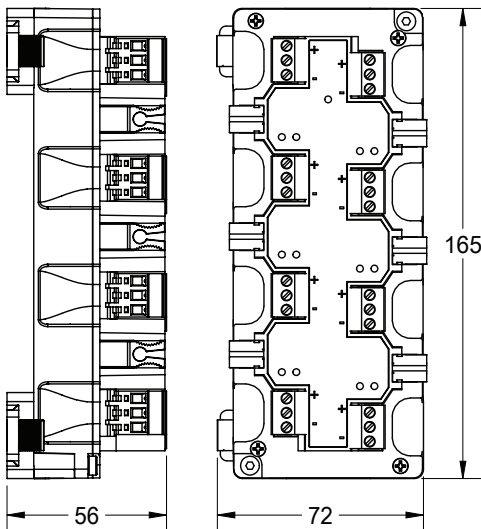


Specifications	
LED displays	Bus power on - green LED Drop power on - green LED Drop short circuit - red LED
Maximum voltage	35 VDC
Maximum current (trunk)	8 amp
Voltage drop (trunk)	Negligible
Voltage drop (drop)	1 volt maximum
Trip current (drop)	240mA
Holding current (after trip)	28mA
Reset current level	Current falls below 28mA
Current consumption	20mA for all nodes
Dimensions (L, W, H)	165mm, 72mm, 56mm
Housing	Engineered resin
Operating temperature	-40° to +80°C (-40° to +176°F)

Schematic drawing



Dimensions (mm)



Drop connectors

Model number

DR461053A

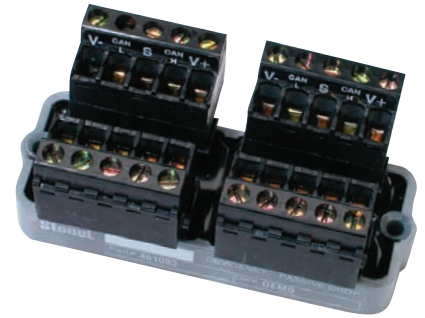
DR465002A (DIN)

Passive multi-drop connector (2 drops)

This multi-drop connector is compact with direct-mount for wiring DeviceNet networks. This device provides terminations for bus in, bus out, and two (2) individual drops or spurs.

Features

- IP20 housing
- Direct mount or DIN rail mount available

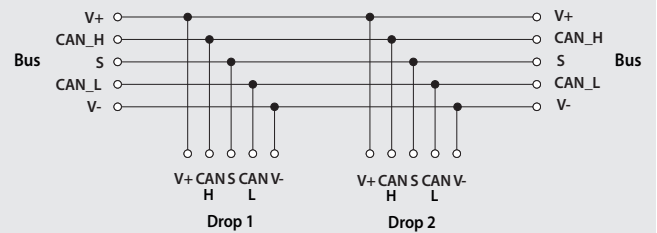


DeviceNet™

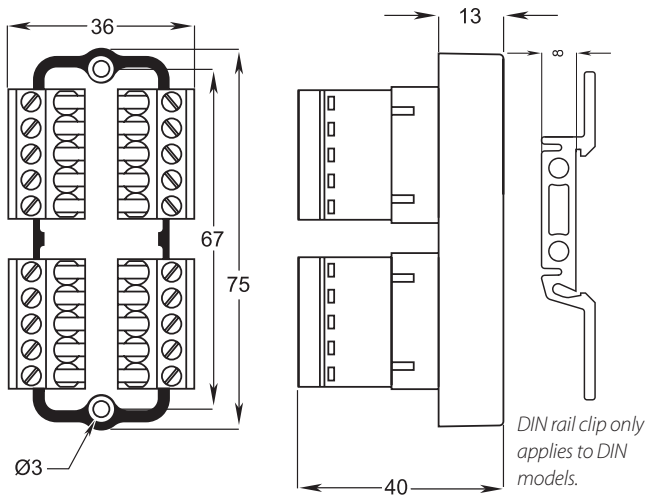
Specifications

Maximum voltage	35 VDC
Maximum current (trunk)	8 amps
Voltage drop (trunk)	Negligible
Voltage drop (drop)	Negligible
Trip current (drop)	No trip current
Maximum devices per drop	No limit
Current consumption	None
Dimensions (L, W, H)	75mm, 36mm, 40mm
Housing	Engineered resin
Operating temperature	-40° to +80°C (-40° to +176°F)

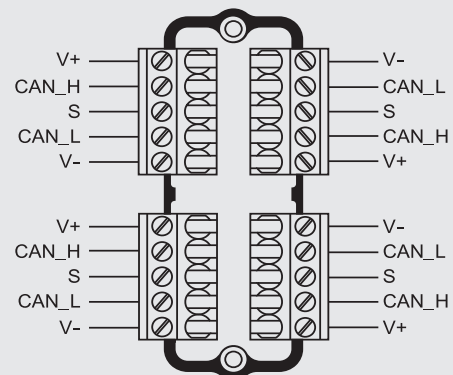
Schematic drawing



Dimensions (mm)



Wiring diagram



Drop connectors (DIN)

Model number

DR465038A

Passive

DR465042A

Protected

DeviceNet™

Multi-drop connector (6 drops)

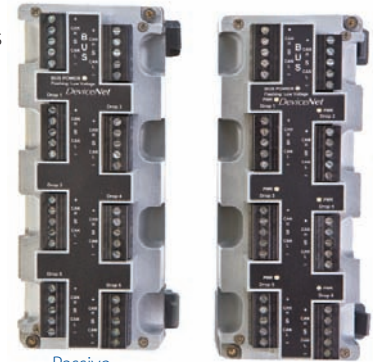
Drop connectors provide a reliable, safe method of connecting slave devices to the bus cable. Protected drop connectors limit the current passing from the bus to the power leg (V+) of the drop to prevent fault conditions on the drop from affecting the bus. DIN rail mounting is standard.

Passive

- 8 amp capacity
- LED indicates bus power

Power protected

- Short circuit protection
- LEDs indicate drop fault, bus power, and drop power
- Automatically resets when drop fault is cleared



Passive

Protected

Specifications

LED displays	Bus power on - green LED Drop power on - green LED (protected) Drop short circuit - red LED (protected)
--------------	---------------------------------------------------------------------------------------------------------------

Maximum voltage	35 VDC
-----------------	--------

Maximum current (trunk)	8 amp
-------------------------	-------

Voltage drop (trunk)	Negligible
----------------------	------------

Voltage drop (drop)	Passive: negligible Protected: <1 Volt
---------------------	-------------------------------------------

Trip current (drop)	Passive: no trip current Protected: 240mA (on V+)*
---------------------	-------------------------------------------------------

Holding current (after trip)	Passive: n/a Protected: 28mA
------------------------------	---------------------------------

Reset current level	Current falls below 28mA
---------------------	--------------------------

Current consumption	10mA for all nodes
---------------------	--------------------

Dimensions (L, W, H)	165mm, 72mm, 56mm
----------------------	-------------------

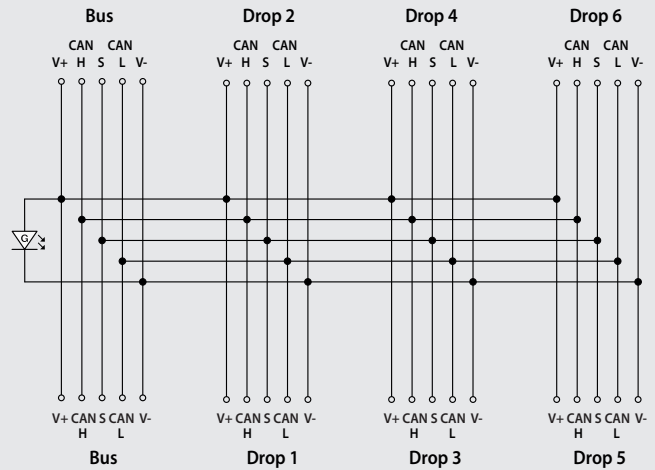
Housing	Engineered resin
---------	------------------

Operating temperature	-40° to +80°C (-40° to +176°F)
-----------------------	--------------------------------

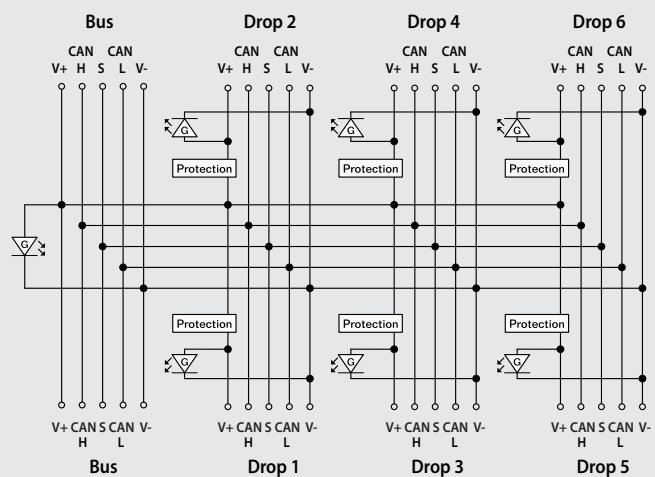
*Short circuit protection only on V+. Communication wires are passive.

Schematic drawings

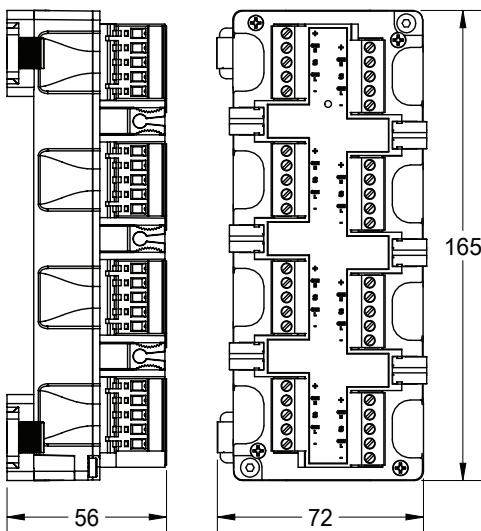
Passive



Protected



Dimensions (mm)



Drop connectors (DIN)

Model number

DR465046A

Switched protected

Multi-drop connector (6 drops)

Drop connectors provide a reliable, safe method of connecting slave devices to the bus cable. Protected drop connectors limit the current passing from the bus to the power leg (V+) of the drop to prevent fault conditions on the drop from affecting the bus. DIN rail mounting is standard.

Switched power protected

- Disconnects each drop
- Short circuit protection on the power leg
- LEDs indicate drop fault, bus power, and drop power status
- Automatically resets when drop fault is cleared

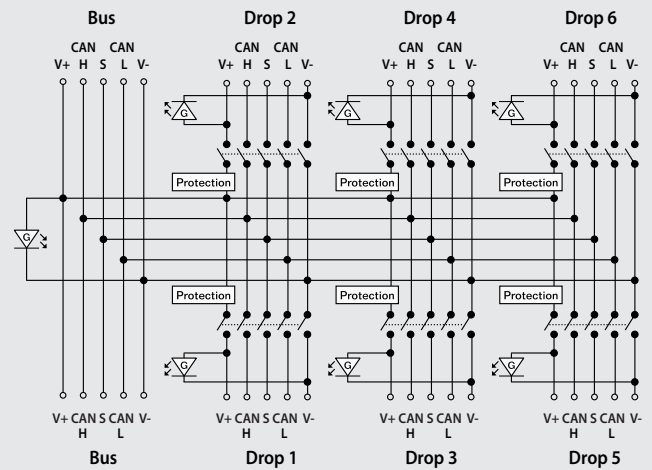


DeviceNet™

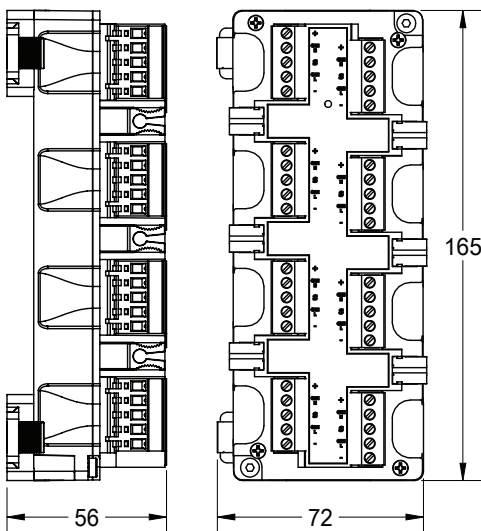
Specifications

LED displays	Bus power on - green LED Drop power on - green LED Drop short circuit - red LED
Maximum voltage	35 VDC
Maximum current (trunk)	8 amp
Voltage drop (trunk)	Negligible
Voltage drop (drop)	<1 Volt
Trip current (drop)	240mA (on V+)*
Holding current (after trip)	28mA
Reset current level	Current falls below 28mA
Current consumption	10mA for all nodes
Dimensions (L, W, H)	165mm, 72mm, 56mm
Housing	Engineered resin
Operating temperature	-40° to +80°C (-40° to +176°F)
*Short circuit protection only on V+. Communication wires are passive.	

Schematic drawing



Dimensions (mm)



Drop connectors

Model number

DR461068A

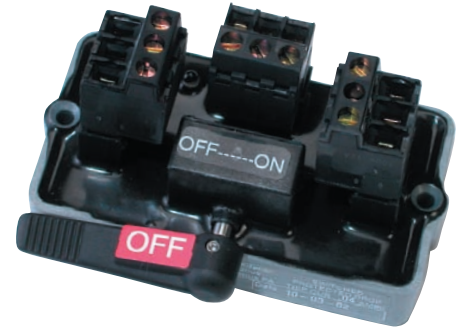
DR465008A (DIN)

Switched multi-drop connector/device coupler

This switched drop connector offers a very convenient method to remove, replace, or repair a device while the balance of the network remains on-line. It allows the user to disconnect a drop segment from the rest of the bus by flipping a switch.

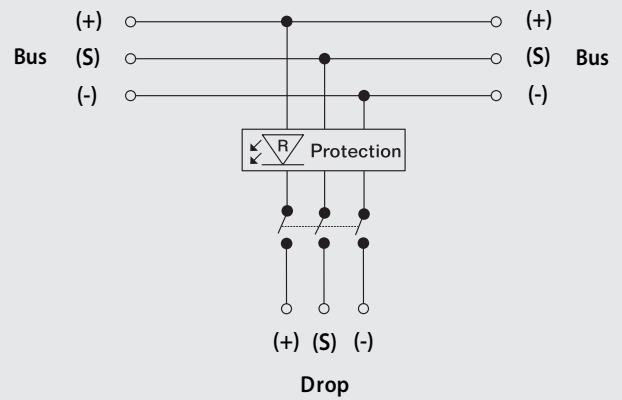
Features

- Disconnect bus segments
- Short circuit protection
- LED indicates drop fault
- Direct mount or DIN rail mount available

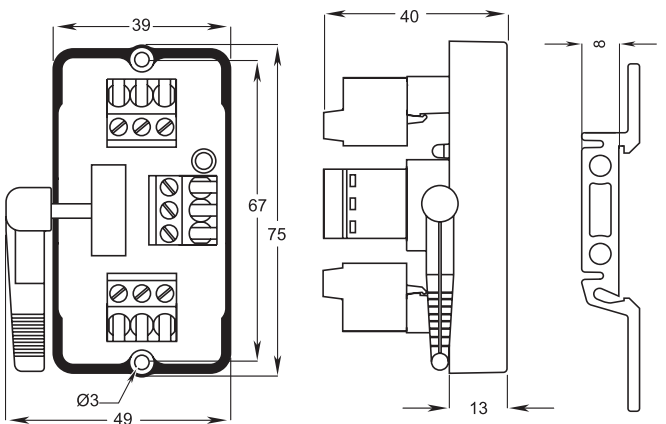


Specifications	
Maximum voltage	35 VDC
Maximum current (trunk)	8 amps
Voltage drop (trunk)	Negligible
Voltage drop (drop)	< 1V
Trip current (drop)	40 mA
Holding current (after trip)	28 mA
Reset current level	Current falls below 28 mA
Maximum devices per drop	1
Current consumption	None
Dimensions (L, W, H)	75mm, 49mm, 40mm
Housing	Engineered resin
Operating temperature	-40° to +80°C (-40° to +176°F)

Schematic drawing

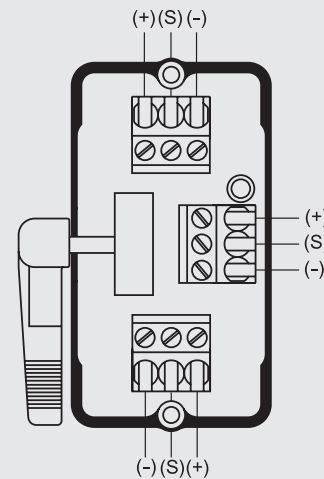


Dimensions (mm)



DIN rail clip only applies to DIN models.

Wiring diagram



Drop connectors (DIN)

Model number

DR461109A
Passive

DR461074A
Protected



Multi-drop connector/device coupler (4 drops)

Drop connectors provide a reliable, safe method of connecting field devices to the bus cable. Protected drop connectors limit the current passing from the bus to the drop leg to prevent fault conditions on the drop from affecting the bus. DIN rail mounting is standard.

Passive

- 8 amp capacity
- LED indicates bus power

Protected

- Short circuit protection
- LEDs indicate bus power and drop short circuit
- Automatically resets when drop fault is cleared



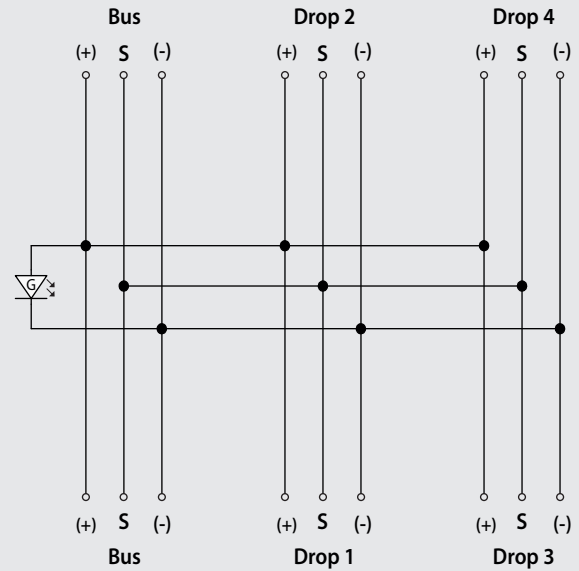
Passive

Protected

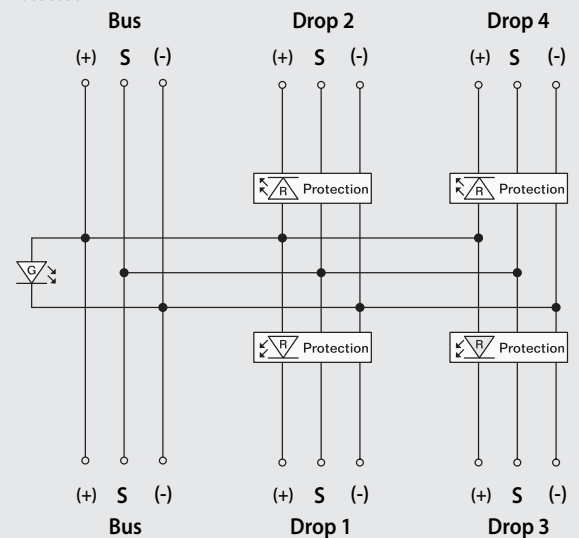
Specifications	
LED displays	Bus power on - green LED Drop short circuit - red LED (protected)
Maximum voltage	35 VDC
Maximum current (trunk)	8 amp
Voltage drop (trunk)	Negligible
Voltage drop (drop)	Passive: negligible Protected: 1 volt maximum
Trip current (drop)	Passive: no trip current Protected: 40mA
Holding current (after trip)	Passive: n/a Protected: 28mA
Reset current level	Current falls below 28mA
Current consumption	2mA
Dimensions (L, W, H)	113mm, 47mm, 68mm
Housing	Engineered resin
Operating temperature	-40° to +80°C (-40° to +176°F)

Schematic drawings

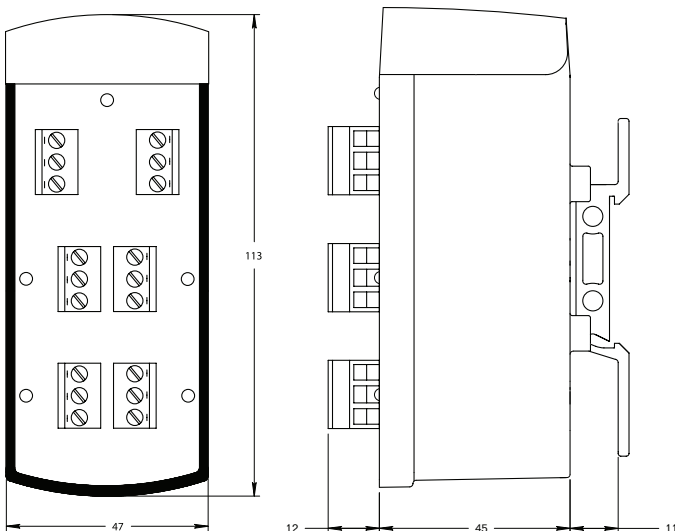
Passive



Protected



Dimensions (mm)



Drop connectors

Model number

DR461110A

Passive

DR465003A (DIN)

Passive

DR461057A

Protected

DR465006A (DIN)

Protected



Multi-drop connector/device coupler

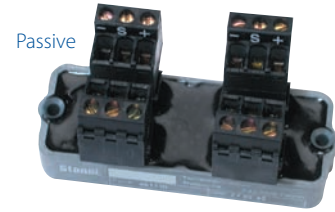
Drop connectors for Foundation Fieldbus/Profibus-PA networks provide a reliable, safe method of connecting slave devices to the bus cable. Protected drop connectors limit the current passing from the bus to the drop leg to prevent fault conditions on the drop from affecting the bus.

Passive (2 drops)

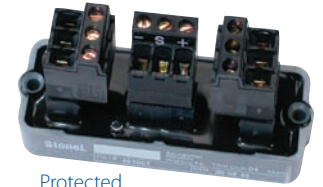
- 8 amp capacity
- Direct mount or DIN rail mount available

Protected (1 drop)

- 8 amp capacity on bus trunk line
- Limits currents on drop leg to protect against short circuits without affecting bus performance
- LED indicates drop fault
- Automatically resets when drop fault is cleared



Passive



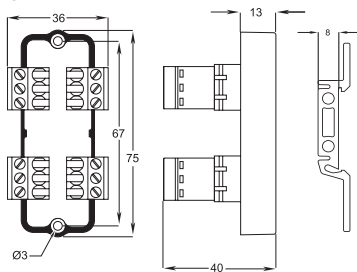
Protected

Specifications	
Maximum voltage	35 VDC
Maximum current (trunk)	8 amps
Voltage drop (trunk)	Negligible
Voltage drop (drop)	Passive: negligible Protected: < 1V
Trip current (drop)	Passive: no trip current Protected: 40 mA
Holding current (after trip)	Protected: 28 mA
Reset current level	Protected: current falls below 28 mA
Maximum devices per drop	Passive: no limit Protected: 1
Current consumption	None
Dimensions (L, W, H)	Passive: 75mm, 36mm, 40mm Protected: 75mm, 26mm, 40mm
Housing	Engineered resin
Operating temperature	-40° to +80°C (-40° to +176°F)



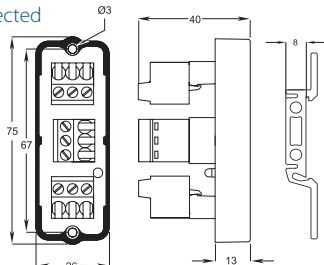
Dimensions (mm)

Passive



DIN rail clip only applies to DIN models.

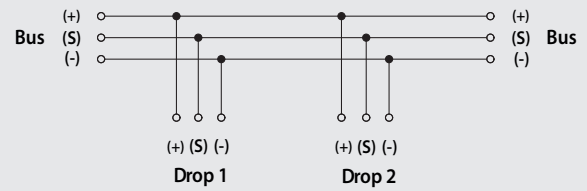
Protected



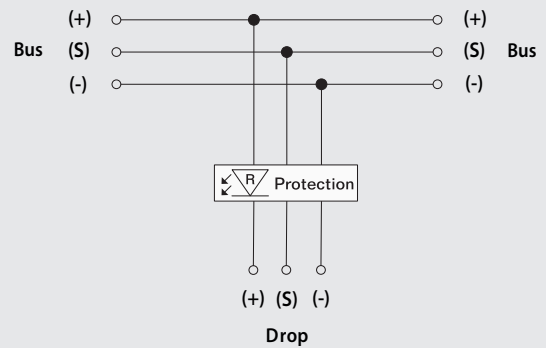
DIN rail clip only applies to DIN models.

Schematic drawings

Passive

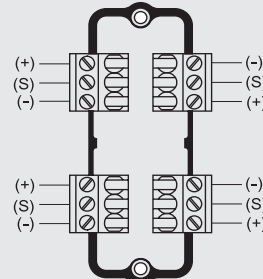


Protected

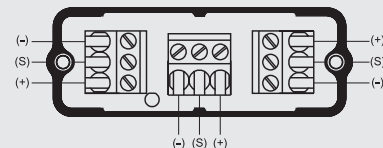


Wiring diagrams

Passive



Protected



Drop connectors (DIN)

Model number

DR465037A

Passive

DR465041A

Protected



Multi-drop connector/device coupler (6 drops)

Drop connectors provide a reliable, safe method of connecting field devices to the bus cable. Protected drop connectors limit the current passing from the bus to the drop leg to prevent fault conditions on the drop from affecting the bus. DIN rail mounting is standard.

Passive

- 8 amp capacity
- LED indicates bus power

Protected

- Short circuit protection
- LEDs indicate drop fault, bus power, and drop power
- Automatically resets when drop fault is cleared



Passive

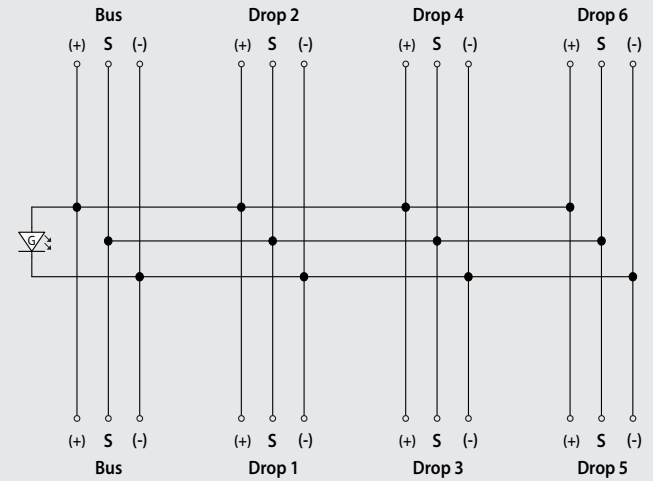
Protected

Specifications

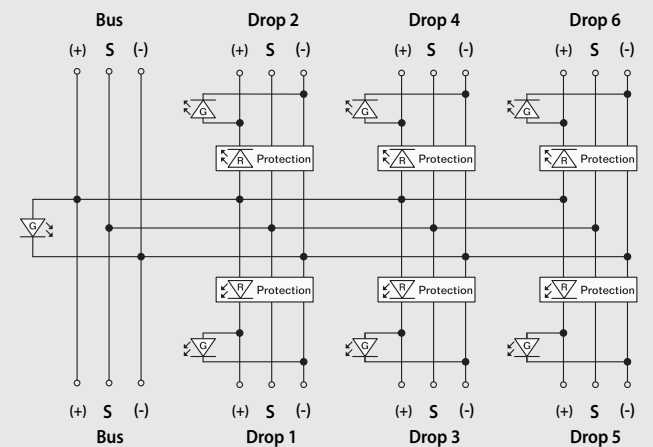
LED displays	Bus power on - green LED Drop power on - green LED (protected) Drop short circuit - red LED (protected)
Maximum voltage	35 VDC
Maximum current (trunk)	8 amp
Voltage drop (trunk)	Negligible
Voltage drop (drop)	Passive: negligible Protected: 1 volt maximum
Trip current (drop)	Passive: no trip current Protected: 40mA
Holding current (after trip)	Passive: n/a Protected: 28mA
Reset current level	Current falls below 28mA
Current consumption	2mA
Dimensions (L, W, H)	165mm, 72mm, 56mm
Housing	Engineered resin
Operating temperature	-40° to +80°C (-40° to +176°F)

Schematic drawings

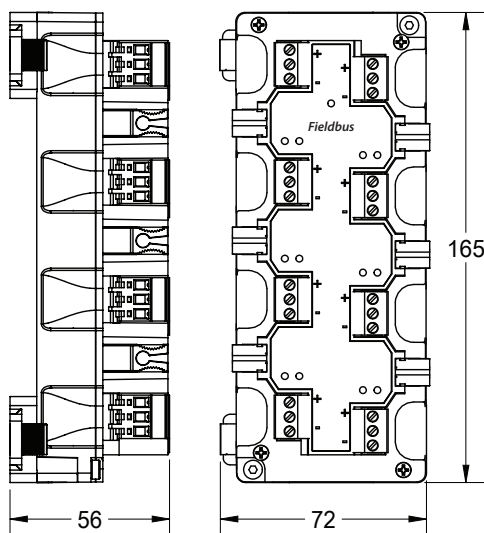
Passive



Protected



Dimensions (mm)



Drop connectors (DIN)

Model number
DR465045A
Switch protected

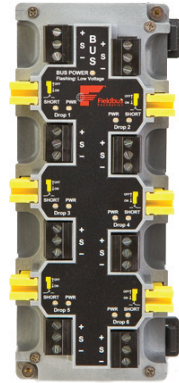


Multi-drop connector/device coupler (6 drops)

Drop connectors provide a reliable, safe method of connecting field devices to the bus cable. Protected drop connectors limit the current passing from the bus to the drop leg to prevent fault conditions on the drop from affecting the bus. DIN rail mounting is standard.

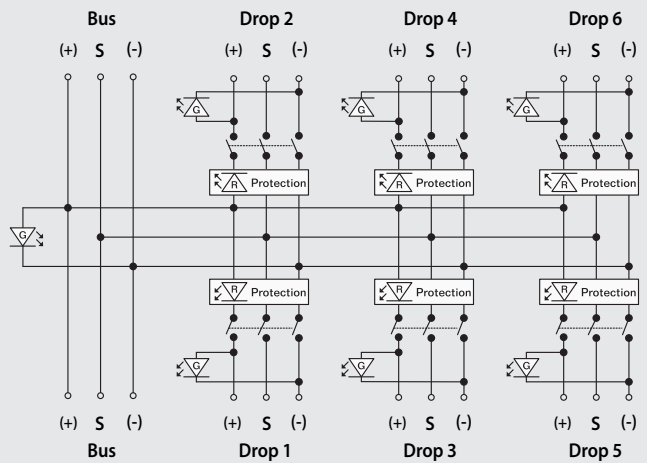
Switched protected

- Disconnects each drop
- Short circuit protection
- LEDs indicate drop fault, bus power, and drop power status
- Automatically resets when drop fault is cleared

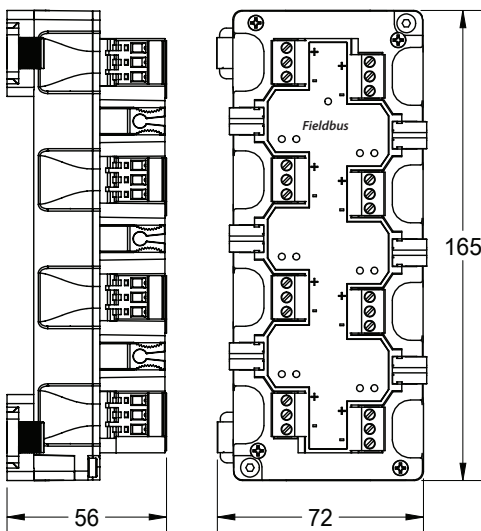


Specifications	
LED displays	Bus power on - green LED Drop power on - green LED Drop short circuit - red LED
Maximum voltage	35 VDC
Maximum current (trunk)	8 amp
Voltage drop (trunk)	Negligible
Voltage drop (drop)	1 volt maximum
Trip current (drop)	40mA
Holding current (after trip)	28mA
Reset current level	Current falls below 28mA
Current consumption	20mA
Dimensions (L, W, H)	165mm, 72mm, 56mm
Housing	Engineered resin
Operating temperature	-40° to +80°C (-40° to +176°F)

Schematic drawing



Dimensions (mm)



Drop connectors

Model number

DR461056A

DR465004A (DIN)

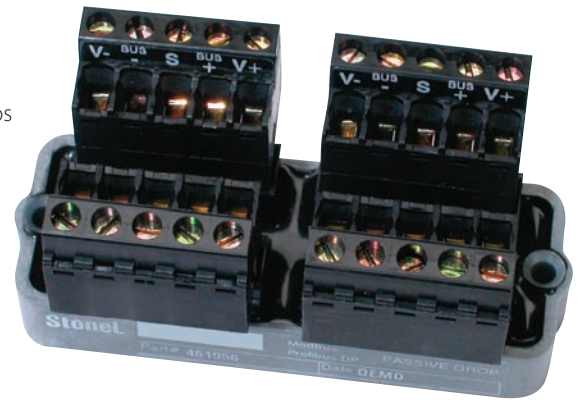
Passive multi-drop connector (2 drops)

This multi-drop connector is compact with direct mount for wiring Profibus-DP/Modbus networks. It provides terminations for bus in, bus out, and two (2) individual drops or spurs.

Features

- Direct mount or DIN rail mount available
- IP20 housing

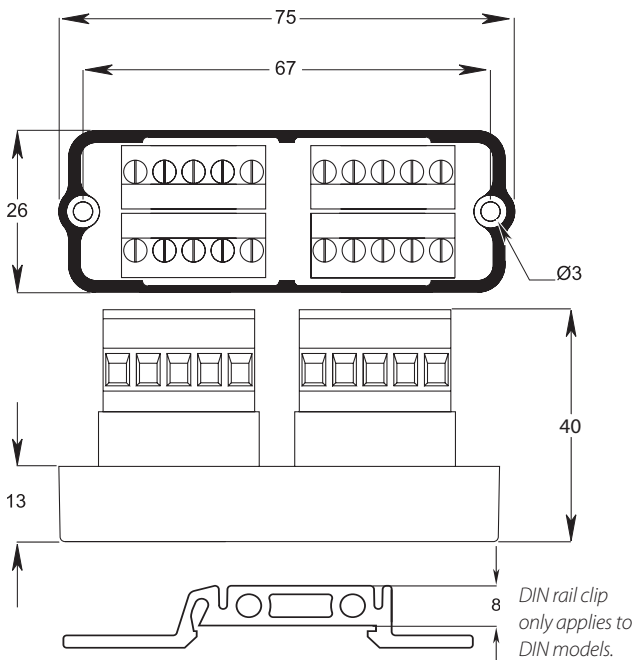
PROFIBUS



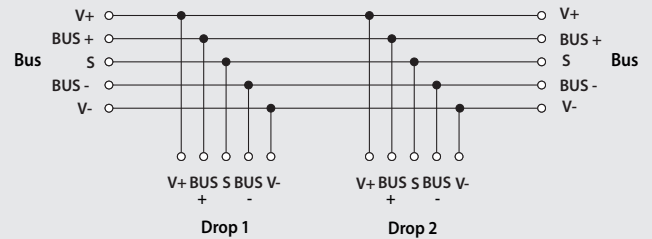
Specifications	
Protocol	Profibus-DP
Maximum voltage	35 VDC
Maximum current (trunk)	8 amps
Voltage drop (trunk)	Negligible
Voltage drop (drop)	Negligible
Trip current (drop)	No trip current
Maximum devices per drop	No limit
Current consumption	None
Dimensions (L, W, H)	75mm, 26mm, 40mm
Housing	Engineered resin
Operating temperature	-40° to +80°C (-40° to +176°F)



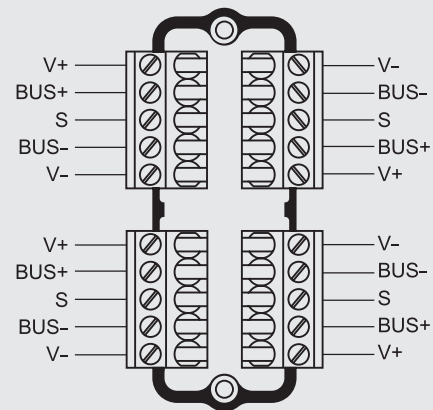
Dimensions (mm)



Schematic drawing

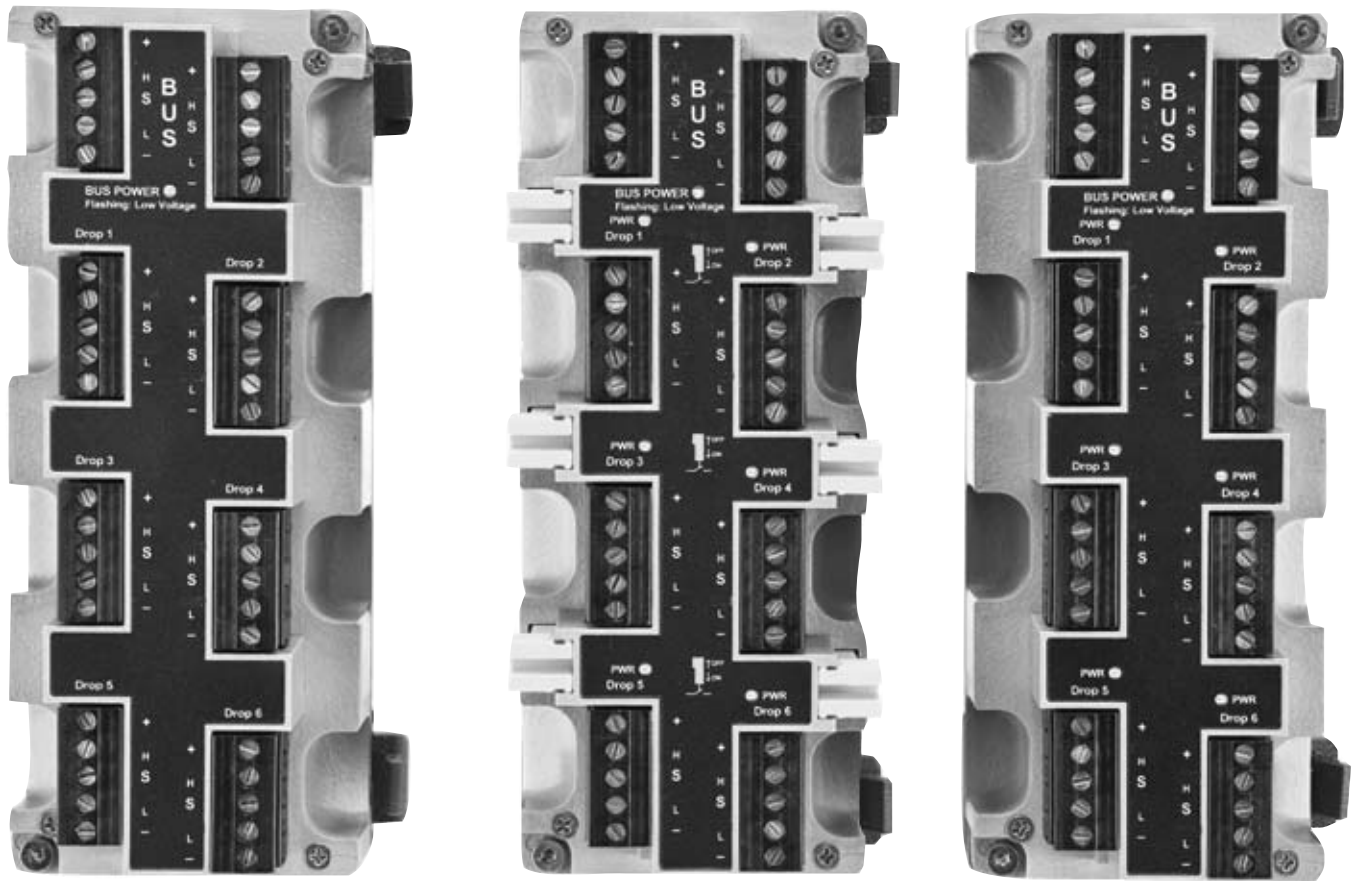


Wiring diagram



MODBUS

and Profibus DP (1-6) DIN Rail Mount Drop Connectors



StoneL®

Valve Communication Solutions

StoneL
One StoneL Dr
26271 US Hwy 59
Fergus Falls, MN 56537
USA

© 2011 StoneL

Telephone: 218.739.5774
Toll Free: 800.843.7866
Fax: 218.739.5776
E-mail: sales@stonel.com
Website: www.stonel.com

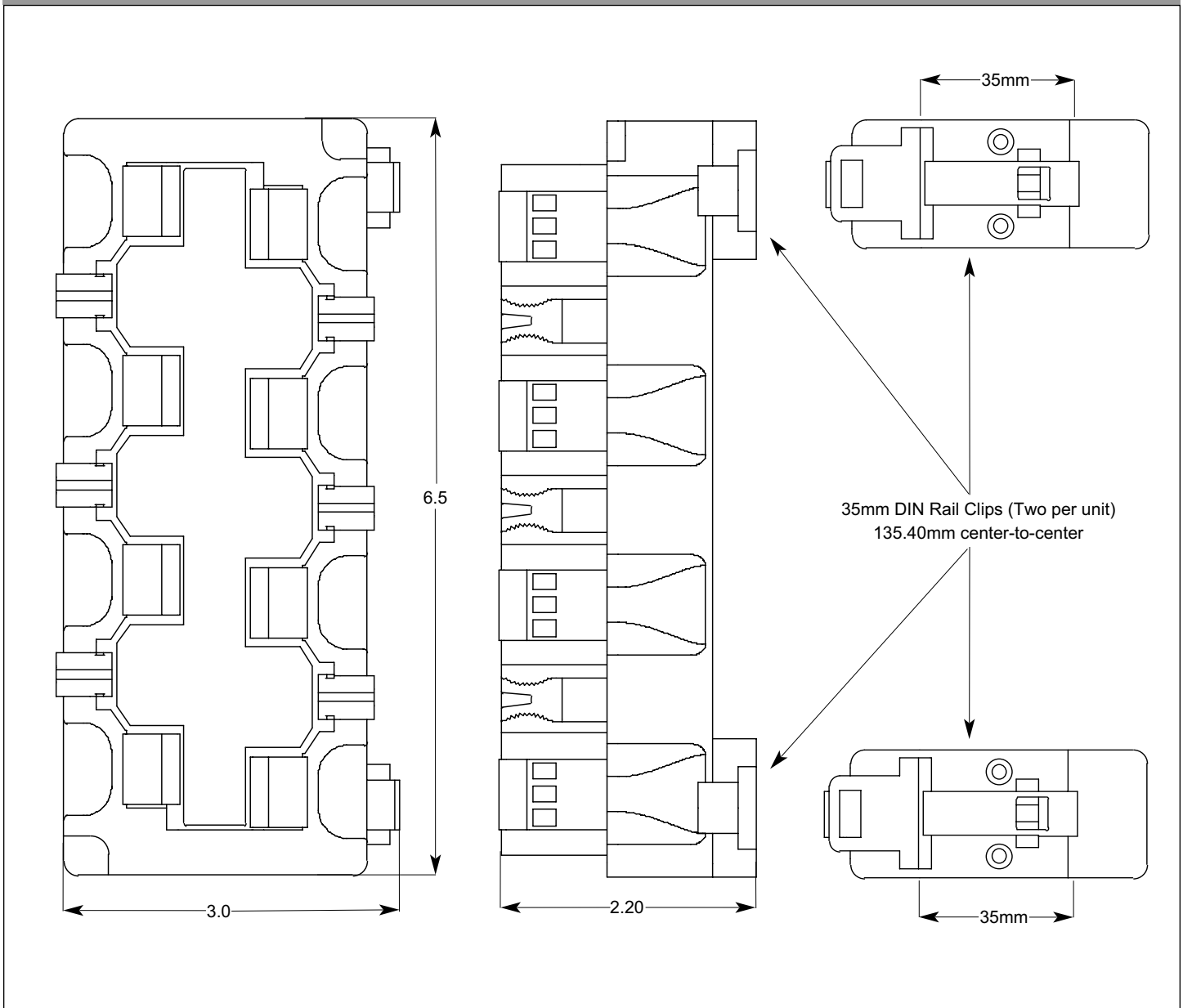
Table Of Contents Page 2
Module Guide Page 3
General Specifications and Ratings Page 3
Dimensional Data Page 3
DR465039_ Modbus/Profibus DP Passive Drop Connector (Bus In/Out and (6) Drops) Page 4
DR465043_ Modbus/Profibus DP Protected (240mA) Drop Connector (Bus In/Out and (6) Drops) Page 5
DR465047_ Modbus/Profibus DP Switched Protected (240mA) Drop Connector (Bus In/Out and (6) Drops) Page 6

	Function	Brand	Options
DR	465039 Modbus/Profibus DP Passive Drop Connector (Bus In/Out and (6) Drops) 465043 Modbus/Profibus DP Protected (240mA) Drop Connector (Bus In/Out and (6) Drops) 465047 Modbus/Profibus DP Switched Protected (240mA) Drop Connector (Bus In/Out and (6) Drops)	A StoneL M Metso	-***** (Special)

General Specifications

Materials of Construction	Operating Life	Unlimited
Housing	Temperature Range	-40° to +80° C (-40° to 176° F)
Fasteners	Enclosure Protection	IP20
	Warranty	Two Years

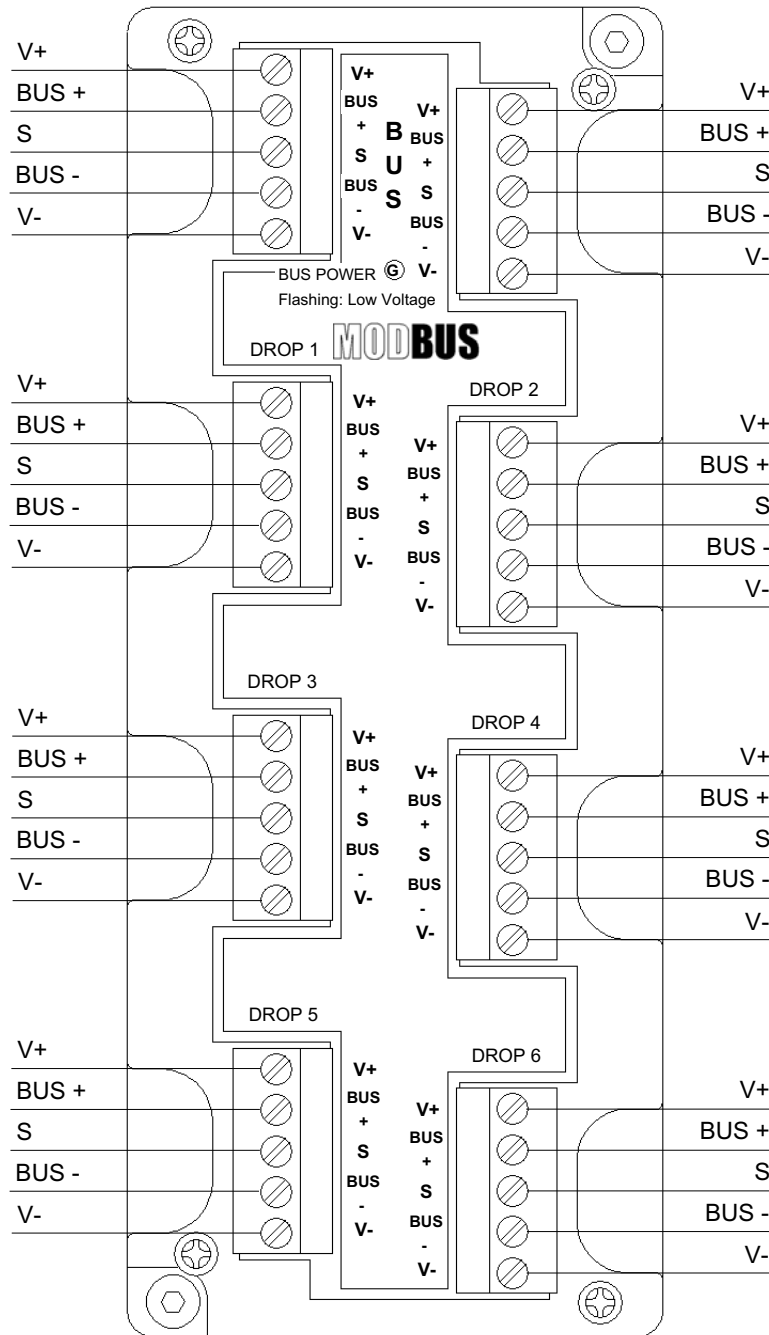
Dimensions in inches



Modbus and Profibus DP Passive Drop Connector

Bus in, Bus out, and (6) Passive Drops for Modbus and Profibus DP networks.

Voltage Range	35VDC	Current Consumption	10mA max
Operating Voltage	Modbus Voltage	Voltage Drop (Trunk)	Negligible
Current Rating	8 Amps	Voltage Drop (Spur)	Negligible
Break Current	None	LED Display:	BUS POWER, Green LED (Flashing = low voltage)
Reset Current	None		

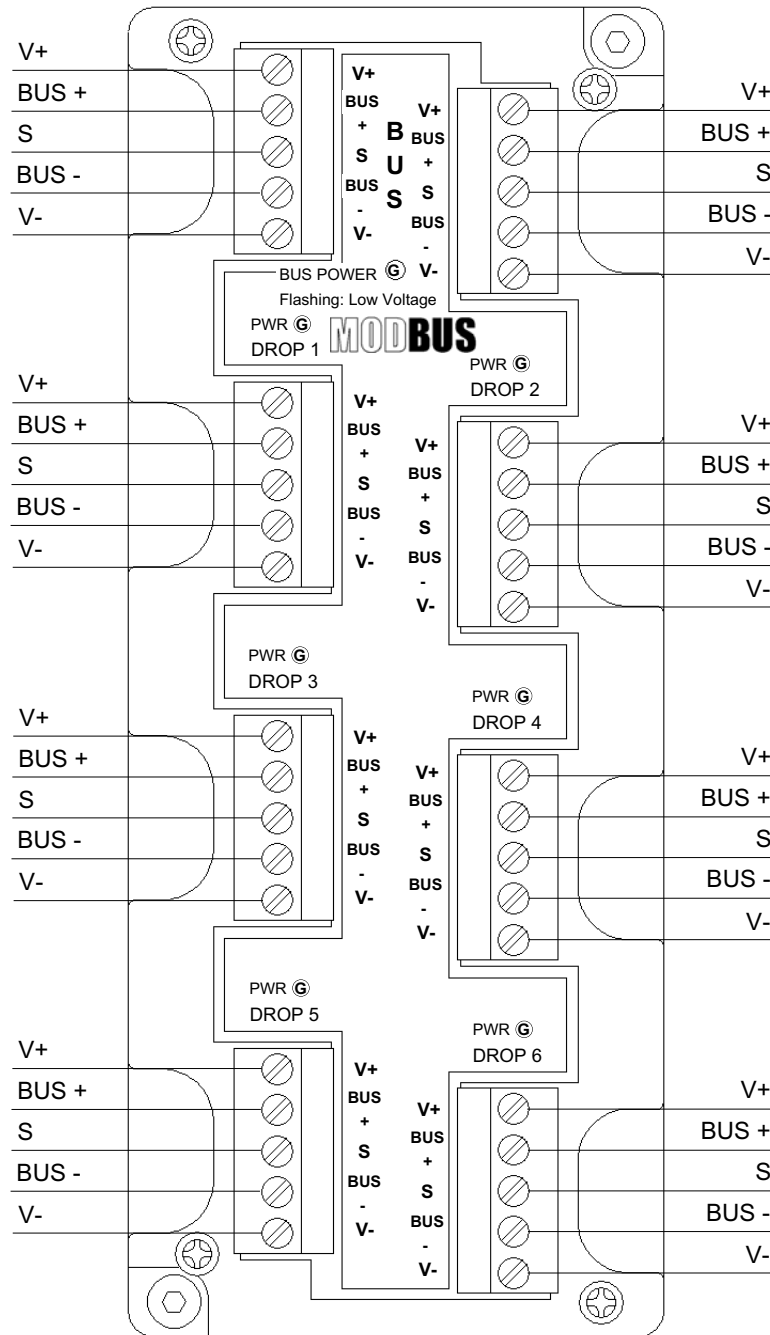


Modbus and Profibus DP Power Protected Drop Connector

Bus in, Bus out, and (6) Power Protected Drops for Modbus and Profibus DP networks

Voltage Range	30 VDC max	Current Consumption	10mA max
Operating Voltage	DeviceNet Voltage	Voltage Drop (Trunk)	Negligible
Current Rating	8 Amps (Bus)	Voltage Drop (Drop)	1.0 VDC max
Break Current	>240mA (on V+)*	LED Displays: BUS POWER, Green LED (Flashing = low voltage)	
Holding Current	28mA	PWR, Green LED, Drop Energized	
Reset Current	<28mA		

*Short circuit protection only on V+. Communication wires are passive

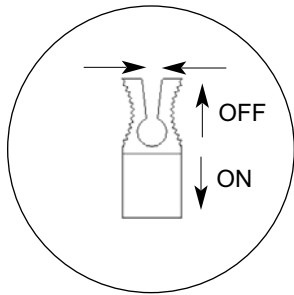


Modbus and Profibus DP Switched Power Protected Drop Connector

Bus in, Bus out, and (6) Switched Power Protected Drops for Modbus and Profibus DP networks.

Voltage Range	30 VDC max	Current Consumption	10mA max
Operating Voltage	DeviceNet Voltage	Voltage Drop (Trunk)	Negligible
Current Rating	8 Amps (Bus)	Voltage Drop (Drop)	1.0 VDC max
Break Current	>240mA (on V+)*	LED Displays:	BUS POWER, Green LED (Flashing = low voltage)
Holding Current	28mA		PWR, Green LED, Drop Energized
Reset Current	<28mA		

*Short circuit protection only on V+. Communication wires are passive



Drop Disconnect Switch Operation

1. To energize a selected drop, compress "ears" of yellow disconnect switch with finger tips and push down. Green "PWR" LED of selected drop will light.
2. To de-energize a selected drop, compress "ears" of yellow disconnect switch with finger tips and pull up. Green "PWR" LED of selected drop will extinguish. Drop is now isolated from the network.

