

HEAT TRACING RTD SENSORS WITH FIXED (NON-REPLACEABLE) ELEMENTS

How to build a part number:

To order an Applied Sensor Technologies temperature sensor, select the requirements for the categories listed below and fill in the corresponding boxes with your selection. Don't see exactly what you need? Give us a call!

STYLE

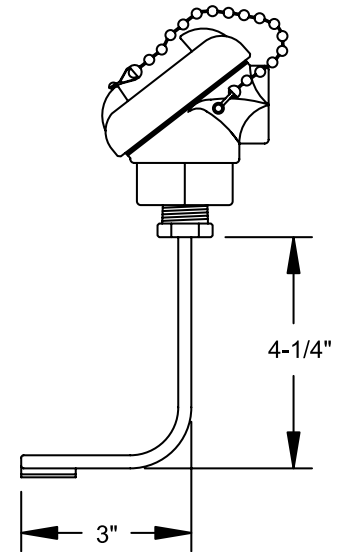
ASSEMBLY STYLE

T1441 – Heat trace RTD with fixed, non-replaceable element; cast aluminum head with ceramic terminal block and 1/2" NPT conduit connection; head conforms to NEMA 4 requirements; sheath is stainless steel with 90° bend, 0.250" O.D. with pad for mounting to pipe.

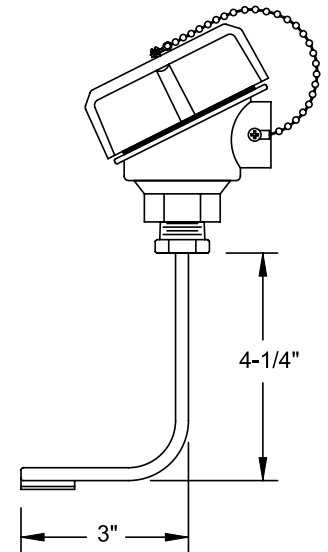
T1441X – Similar to T1441, except explosion-proof terminal head; approved for Class 1, Div. 1, Groups C & D.

NOTES:

- **TEMPERATURE RANGE** – minimum and maximum operating temperatures -18 to 371 °C (-0 to 700 °F)
- **SHEATH LENGTH** – 4-1/4" length from pipe to fitting standard (consult AST for additional lengths)
- **ELEMENT** – 3-wire, platinum RTD, Class B, 100 ohms at 0 °C (±0.12%); DIN 0.00385



T1441



T1441X