

2216L 2208L

MODELS

Ideal for:

- Plastic extrusion
- Ovens
- Chillers
- Baking
- Cold stores

Features:

- Dual, 4 digit display
- Self tuning
- Special fan and water cooling algorithms
- High, low, deviation & sensor break alarms
- Tactile buttons
- Plug-in from front
- Meets European EMC and safety directives
- Three year warranty

Model 2216L
1/16 DIN (48 x 48mm)

Model 2208L
1/8 DIN (48 x 96mm)

PID Temperature Controllers

Available in 1/16 and 1/8 DIN panel sizes, the 2216L and 2208L temperature controllers are designed for accurate, trouble free control of extruders, ovens, chillers and other heating and cooling processes. They are simple to order, simple to install and simple to operate.

Eurotherm's advanced control techniques give stable "straight line" control of the process. Unique features include: power feedback which stabilises the controlled temperature against supply voltage changes and dedicated cooling algorithms which ensure optimum control of fan and water cooled systems.

Self tuning is included to automatically optimise the control performance without the need for specialist knowledge or training.

Calibration accuracy is preserved with a self-correcting input circuit.

Simple operation is achieved using intuitive display formats and tactile buttons.

The controllers are pre-configured according to the simple ordering code.

Simple temperature display and setpoint adjustment

Easy commissioning

Optimised cooling on extruders and chillers

Product and machine protection

Friendly to use

Rapid replacement - reducing downtime

Assured reliability in industrial environments

Low ownership cost

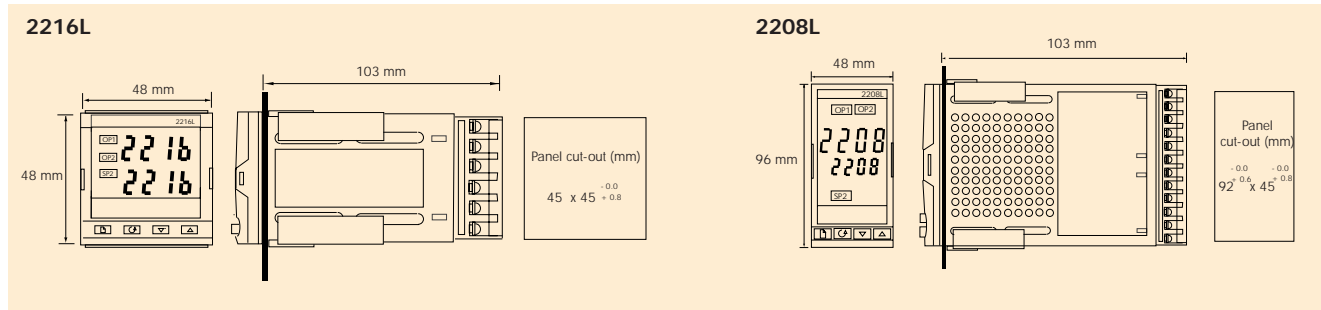


**EUROTHERM
CONTROLS**

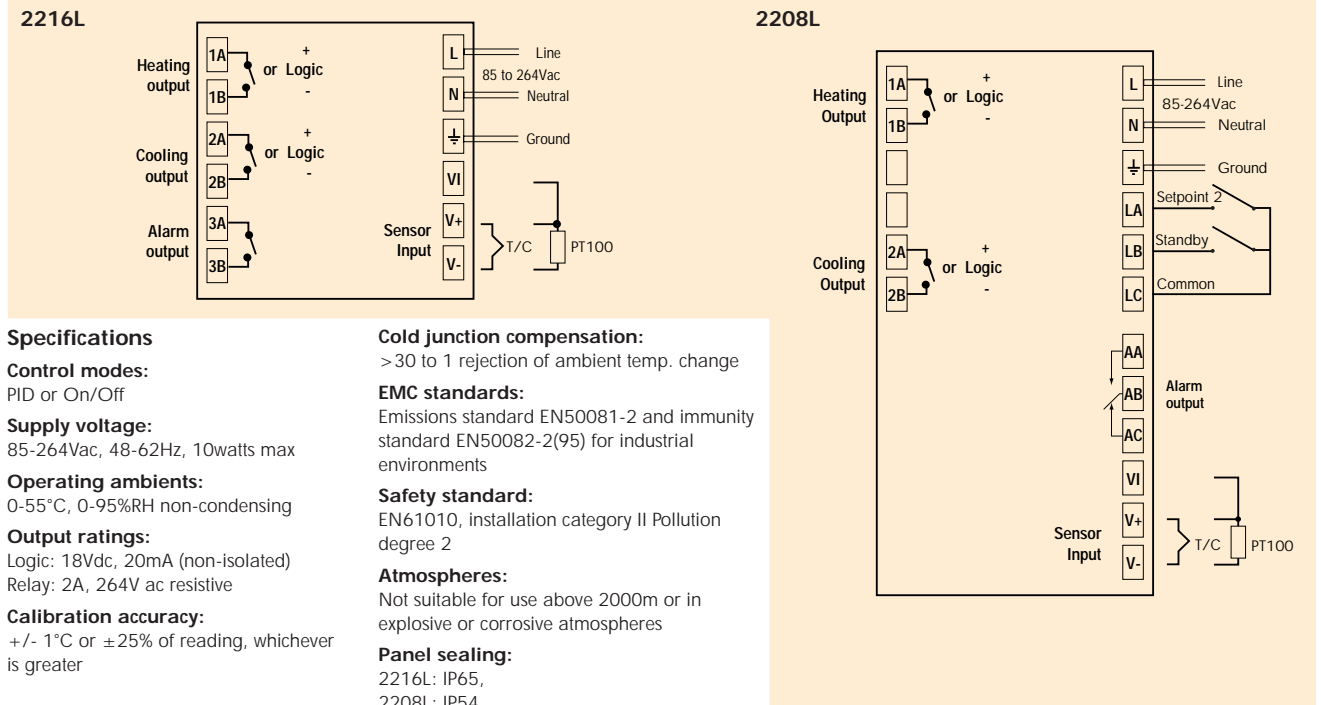


**Temperature
Controllers**

Dimensions



Electrical connections



Specifications

Control modes:

PID or On/Off

Supply voltage:

85-264Vac, 48-62Hz, 10watts max

Operating ambients:

0-55°C, 0-95%RH non-condensing

Output ratings:

Logic: 18Vdc, 20mA (non-isolated)
Relay: 2A, 264V ac resistive

Calibration accuracy:

+/- 1°C or ±25% of reading, whichever is greater

Cold junction compensation:

>30 to 1 rejection of ambient temp. change

EMC standards:

Emissions standard EN50081-2 and immunity standard EN50082-2(95) for industrial environments

Safety standard:

EN61010, installation category II Pollution degree 2

Atmospheres:

Not suitable for use above 2000m or in explosive or corrosive atmospheres

Panel sealing:

2216L: IP65,
2208L: IP54

Ordering Code

| Model Number | Control | Supply Voltage | Heating Output | Cooling Output | Alarm Output | Manual | Sensor Input | Setpoint Min. | Setpoint Max. | Units |
|----------------|---------|----------------|----------------|----------------|--------------|--------|--------------|---------------|---------------|-------|
| 2216L 2208L | | | | | | | | | | |

| Control | | Cooling Output | | | Manual | | Sensor Input | | Setpoint Min/Max | | Units | |
|---------|-------------------|----------------|---------------|----------------|---------------------|---------|--------------|---|------------------|--------------|--------------|----|
| C | PID Controller | X | Not fitted | A | Linear cooling | XXX | No manual | J | Type J | -210 to 1200 | -340 to 2192 | °C |
| N | On/Off Controller | A | Relay output | FRA | French | ENG | English | K | Type K | -200 to 1372 | -325 to 2500 | °F |
| | | B | Fan cooling | GER | German | FRA | French | T | Type T | -200 to 400 | -325 to 750 | |
| | | C | Water cooling | NED | Dutch | GER | German | L | Type L | -200 to 900 | -325 to 1650 | |
| | | | Logic output | SPA | Spanish | NED | Dutch | N | Type N | -200 to 1300 | -325 to 2370 | |
| | | | D | Linear cooling | SWE | Swedish | | Z | Pt100 | -200 to 850 | -325 to 1562 | |
| | | | E | Fan cooling | DEN | Denmark | | | | | | |
| | | | F | Water cooling | ITA | Italian | | | | | | |
| | | | | Alarm Output | | | | | | | | |
| | | | | X | Not fitted | | | | | | | |
| | | | | 1 | High and low alarms | | | | | | | |
| | | | | 2 | Deviation band | | | | | | | |

EUROTHERM CONTROLS LIMITED <http://www.eurotherm.co.uk>

UK SALES OFFICE

Eurotherm Controls Limited
Faraday Close, Durrington
Worthing, West Sussex BN13 3PL
Telephone Sales: (01903) 695888
Technical: (01903) 695777
Service: (01903) 695444
Fax (01903) 695666

Sales and support in over 30 countries worldwide

Eurotherm Controls Limited
Export Dept.,
Faraday Close, Durrington, Worthing
West Sussex, BN13 3PL
Telephone (01903) 268500
Fax (01903) 265982
Telex 87114 EUROWG G

© Copyright Eurotherm Controls Limited 1997

All rights strictly reserved. No part of this document may be stored in a retrieval system, or any form or by any means without prior written permission from Eurotherm Controls Limited. Every effort has been taken to ensure the accuracy of this specification. However in order to maintain our technological lead we are continuously improving our products which could, without notice, result in amendments or omissions to this specification. We cannot accept responsibility for damage, injury, loss or expenses resulting therefrom.