



DTR500 Solar Radiation and Precipitation Shields

Vaisala Radiation Shield Series DTR500 are solar radiation and precipitation shields supporting humidity probe installations in outdoor applications.

Sensor Protection

The maintenance-free DTR500 series shields protect the humidity and temperature sensors from solar radiation and precipitation. They provide excellent ventilation while blocking both direct and reflected solar radiation.

The special plastic used in the plates has excellent thermal characteristics: the white outer surface reflects radiation, and the black inside absorbs accumulated heat. The shields can be easily installed on a vertical pole, horizontal beam, or flat surface.

The DTR Shields can be used with the following Vaisala products:

- **DTR502(A)** with adapter 221072:
 - Vaisala HUMICAP® Humidity and Temperature Probe HMP155's additional temperature sensor
- **DTR502B:**
 - Vaisala HUMICAP® Humidity and Temperature Transmitters HMT333, HMT337, HMT363, and HMT367
 - Vaisala HUMICAP® Humidity and Temperature Probe HMP7
 - Vaisala Combined Pressure, Humidity and Temperature Transmitters PTU303 and PTU307
- **DTR503(A):**
 - Vaisala HUMICAP® Humidity and Temperature Probe HMP155
- **DTR504(A):**
 - Vaisala HUMICAP® Humidity and Temperature Transmitters HMT120/130
 - Vaisala HUMICAP® Humidity and Temperature Probe HMP110
 - Vaisala INTERCAP® Humidity and Temperature Probe HMP60



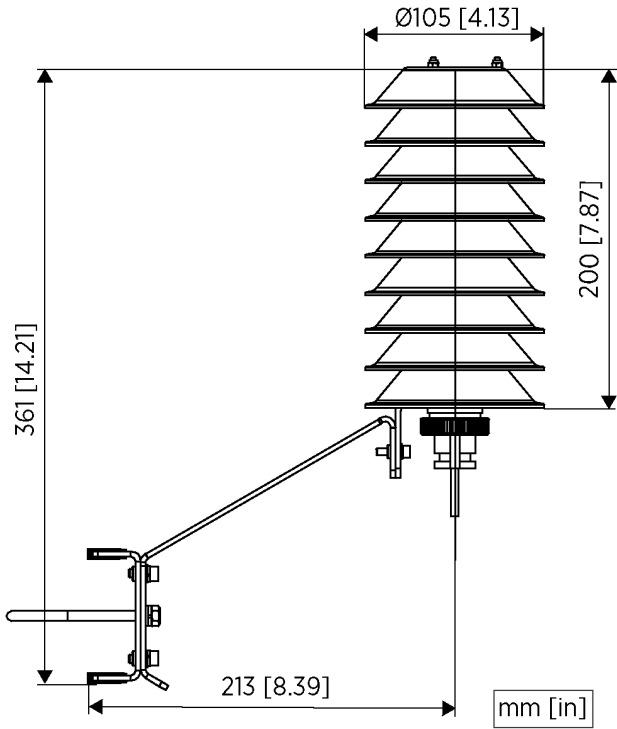
Features

- Protects temperature and humidity probes from both scattered and direct solar radiation and rain
- Maintenance-free
- Naturally ventilated
- Installs easily on a vertical pole, horizontal beam, or flat surface
- Suitable for a wide selection of applications
- Choice of shields and mounting accessories

Technical Data

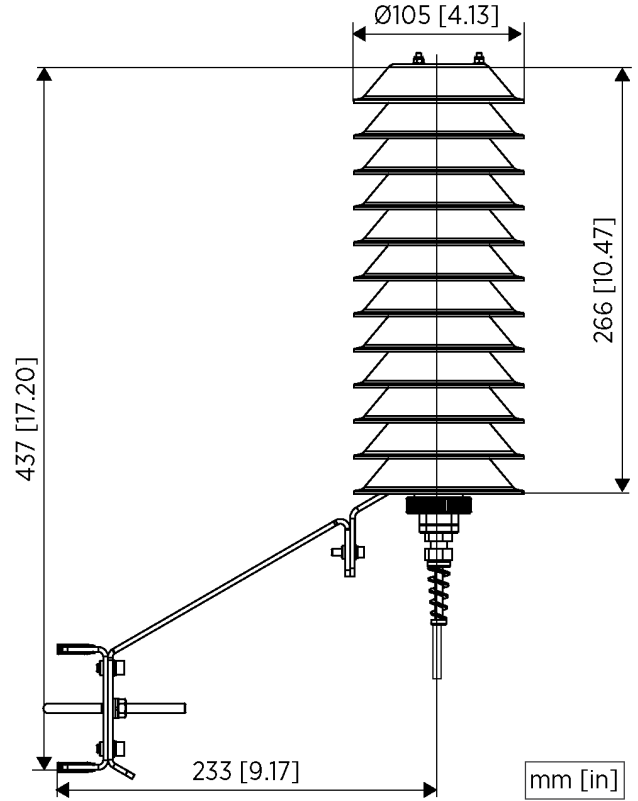
DTR502B for HMT333, HMT337, HMT363, HMT367, HMP7, PTU303, and PTU307

Dimensions (H × W)	200 × 105 mm (7.87 × 4.13 in)
Accessories	Product specific adapter



DTR503A for HMP155

Dimensions (H × W)	266 × 105 mm (10.47 × 4.13 in)
Accessories	Horizontal beam assembly Pole mast installation kit



DTR504 for HMT120/130 remote probes, HMP110, and HMP60

Dimensions (H × W)	141 × 105 mm (5.55 × 4.13 in)
Accessories	Horizontal beam assembly Pole mast installation kit

