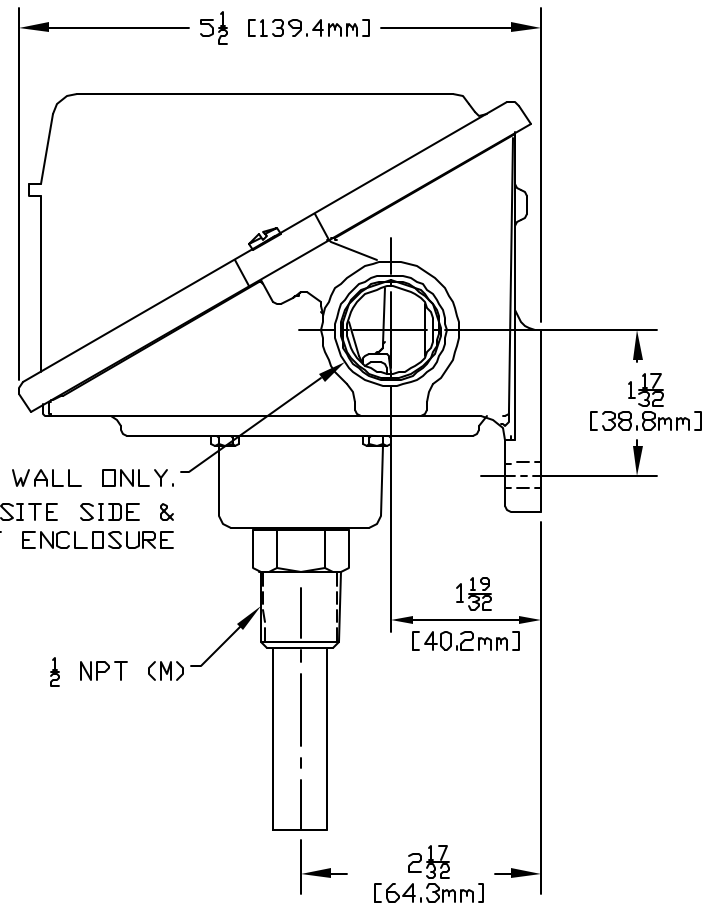
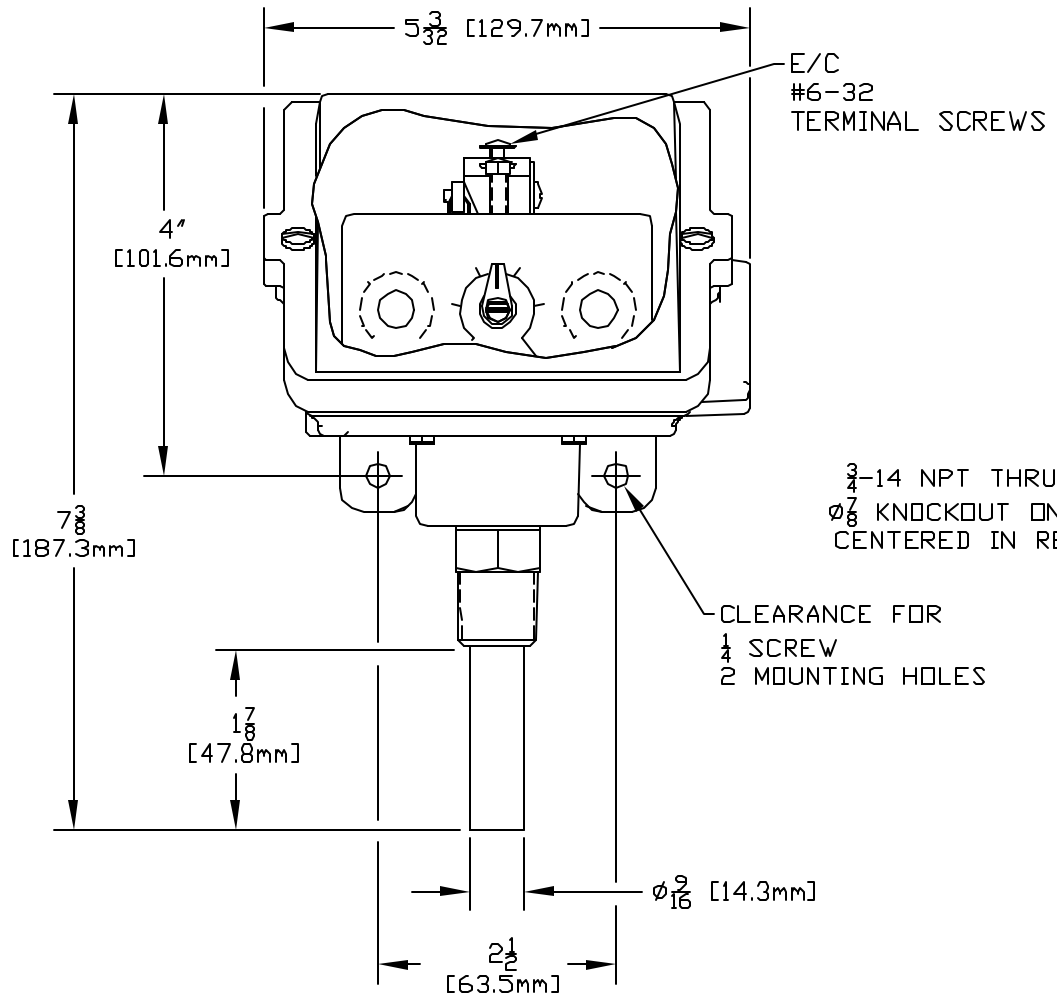


UL LISTED, CSA CERTIFIED, NEMA 4.
I & M SHEET IMT400.
FM APPROVED.




121	200 TO 425	95 TO 215
120	0 TO 225	-15 TO 105
MODEL NO.	°F	°C
	ADJUSTABLE RANGE	

U	REDRAWN, UPDATED ENCLOSURE. ECN#E0821	6-28-04	S.R.	HN
SYM	DESCRIPTION	DATE	DWN	APPD
REVISIONS				

ORIGINAL DATE	11-6-86
DRWN	A. EBALO
CHKD	P. WEILER
APPD	A. MINASSIAN
UNLESS OTHERWISE SPECIFIED DIMENSIONS ARE IN INCHES	
DO NOT SCALE THIS DRAWING	

TITLE	B400 120 & 121
SCALE	1:2

DF001D



UNITED ELECTRIC
CONTROLS COMPANY
WATERTOWN * MASSACHUSETTS

DWG NO
A-12342