



CENTRON[®] C2BR

Commercial and Industrial (C&I) Meter

With this polyphase solid-state meter, Itron presents a platform for residential metering with the flexibility to adapt as your needs expand and change. The CENTRON C2BR solid-state meter is used for measuring singlephase energy consumption. It is available as an energy meter with either an LCD or cyclometer register. As an option, the meter is available with interchangeable modules, including an RF module, the R300, and third-party communication options.

Flexible Platform

- » The CENTRON meter can easily be upgraded to any of the option modules available.
- » Permanent calibration

Personality Modules

- » The interchangeable modules are part of a snap-in register assembly.

- » The personality module houses all register or communication functions.

Enhanced Performance

- » Low starting watts
- » Low burden
- » Captures energy that was not monitored in the past by electromechanical meters

Standard Features

- » Electronic LCD Register
- » Polycarbonate cover
- » Visible Test LED
- » Available Energy Setting:
 - kwh delivered
 - kwh net (delivered - received)
 - kwh det (kwhd + kwhr)

Option Module Upgrades

- » > R300 900 MHz RF module (C1SR)

Technical Data

- » Meets Applicable Standards
- » ABNTNBR 14520
- » IEC 62052-11
- » IEC 62053-21

Product Availability

Singlephase Service Wiring

- » Volts & Amps: 120V 2-wire
 - Kh: 1.0
- » Volts & Amps: 240V 2-wire
 - Kh: 1.0
- » Volts & Amps: 240V 3-wire
 - Kh: 1.0

Power Requirements

- » Voltage Rating: 120V, 240V
- » Operating Voltage: $\pm 20\%$ (60Hz)/ $+10\%$ (50Hz)
- » Frequency: 60 Hz/50Hz
- » Operating Range: ± 3 Hz

Operating Environment

- » Temperature: -40° to $+85^{\circ}$ C
- » Humidity: 0% to 95% non-condensing
- » Transient / Surge Suppression:
 - – ANSI C37.90.1-1989
 - – IEC 61000-4-4
 - – ANSI C62.45-1992

Accuracy

- » $\pm 1.0\%$ @ unity power factor

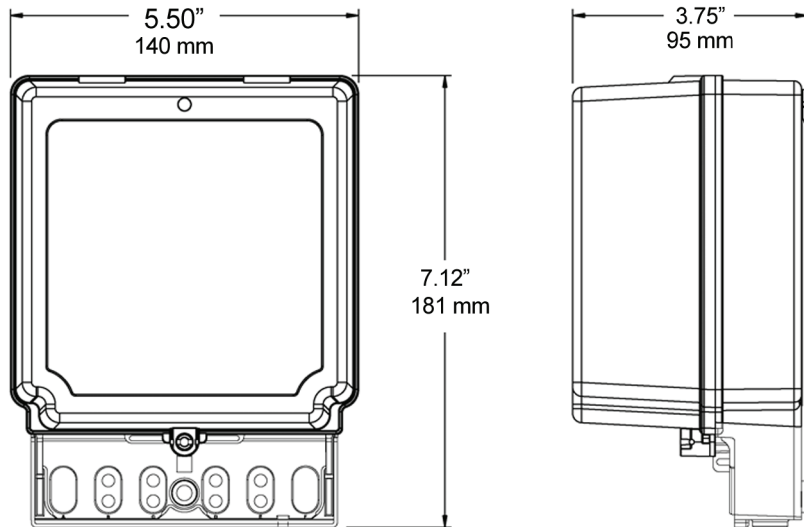
ABNT/IEC

- » $\pm 0.5\%$ @ .5 power factor

General LCD Display

- » Five-digit liquid crystal display
- » Data digit height: 0.4"
- » Annunciator height: 0.088"
- » Electronic Load Indicator

Dimensions



Itron is a global technology company. We build solutions that help utilities measure, manage and analyze energy and water. Our broad product portfolio includes electricity, gas, water and thermal energy measurement and control technology; communications systems; software; and professional services. With thousands of employees supporting nearly 8,000 utilities in more than 100 countries, Itron empowers utilities to responsibly and efficiently manage energy and water resources.

Join us in creating a more resourceful world; start here: www.itron.com

CORPORATE HEADQUARTERS

2111 N Molter Road
Liberty Lake, WA 99019
USA

Phone: 1.800.635.5461

Fax: 1.509.891.3355