



## A-Series<sup>®</sup> II Panelboards

### AD/AE/AQ Type P & N Power Panel SE/TED Three-Phase Circuit Breaker Kits

#### Introduction

These instructions describe the installation of SE/TED three-phase circuit breaker kit into an A-Series<sup>®</sup> II panelboard. These kits are for use in panelboards ordered with Un-Specified Space.

The catalog number for six-pole SE/TED breaker kit is ASPP6SE6D

Parts List for ASPP6SE6D Table 1.

ITEM #	DESCRIPTION	PART #	QTY
1	BRANCH BASE FOR B PHASE	139C5702BSEG1	1
2	BRANCH BASE FOR A PHASE	139C5702ASEG1	1
3	BRANCH BASE FOR C PHASE	139C5702CSEG1	1
4	(SPOOL)	315A7036P18	6
5	(SCREW-SPOOL)	315A7037P3	6
6	(WASHER-SPOOL)	75A105503P111	6
7	(SCREW-BUS)	315A7034P8	6
8	3P BRACKET	139C5500P82	2
9	SCREW, BKT TO RAIL	N667P16008B6	8
10	SCREW, C/B TO BKT	N80P150046B6	4
11	FILLER PLATE, SE/TED/FB	139C5503P77	1
12	SCREWS , #10-32 X 3/8	N722P16006B6	4
13	NUT	N210P16B6	6
14	CUP WASHER	254V644P1	4

#### Installation

**WARNING:** Before attempting to install one of these kits, remove all power from the panelboard.

Use the following procedure to install a SE/TED circuit breaker kit. Call-out numbers in the illustrations and numbers in brackets in the text refer to Item Numbers in Table 1. Installation of a six-pole kit is illustrated in Figure 1 or Figure 2.

1. Remove the interior assembly from its packaging and verify that all parts are present, as given in the parts list.
2. Remove the 8 screws (600A and 800A panels) securing the dead front to panelboard interior. Lift off the dead front and place it and the screws aside.

3. Remove the circuit breaker kit from its packaging and verify that all parts are present, as given in the packing list.
4. Refer fig.no.1 to mount the breaker on interior. Place branch base for A phase [2] adjacent to crossbar [15] as shown in fig.1 and insert the screw [7] through slot provided to mount it to A phase main busbar. Similarly mount B phase branch base [1] to B phase main busbar adjacent to A phase branch base and C phase branch base [3] to C phase main busbar adjacent to B phase branch base. All phase branch bases should be clamped to main bus using screw [7] with 60 inch lb max-lb.

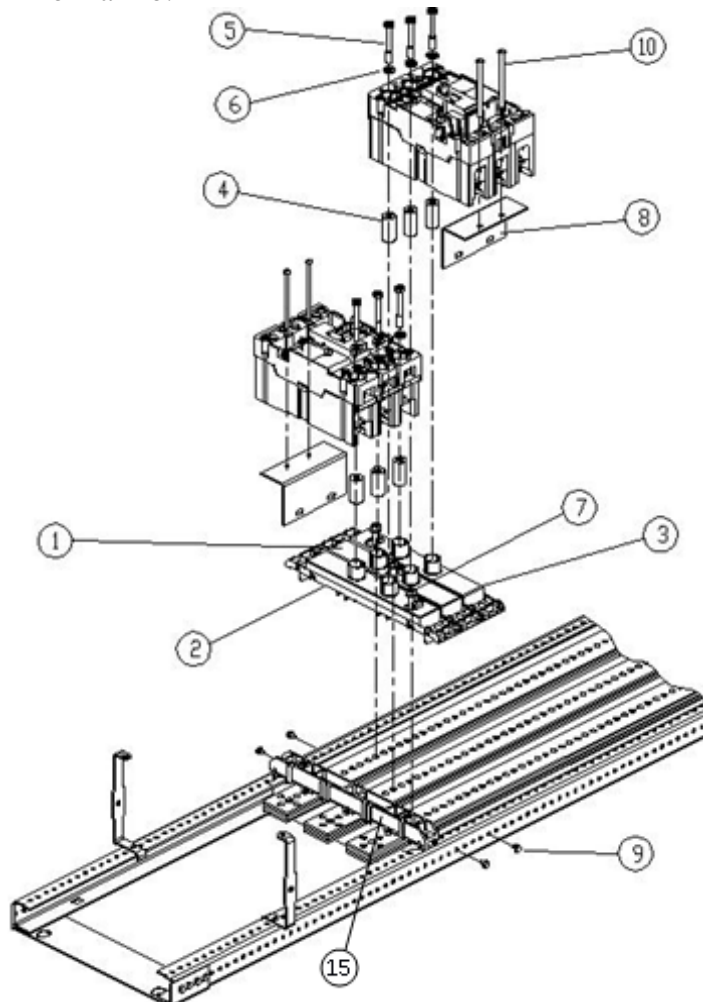


Figure 1. Installation of a SE/TED circuit breaker kit on interior, catalog number ASPP6SE6D, into an A-Series® II Panelboards.

5. Mount bracket [8] on the interior rail with two screws [9] with 27-36 in-lb at the location defined.
6. Place the conical washer [6] over the three  $\frac{1}{4}$ -28 x  $1\frac{3}{8}$  screws [5] and insert the screws through the holes in the top of the circuit breaker. Secure the three spools [4] to the underside of the breaker terminals with the screws [5]. Take care to assemble the screws to the spools as shown in Figure 1, with the tapped end of the spool toward the breaker terminal.

7. Place the breaker assembled with spool over branch bases[1][2][3], align the spool [4] with protruded opening in branch bases and tighten the three  $\frac{1}{4}$ -28 X  $1\frac{3}{8}$  screws [5] installed in step 6 to 50-70 in-lb.
8. Insert two screws [10] into the holes in the circuit breaker and tighten to bracket [8] with 18-22 in-lb.
9. Remove the four screws [12] of existing filler plate from dead front where SE/TED breaker needs to be installed, as illustrated in Figure 2.

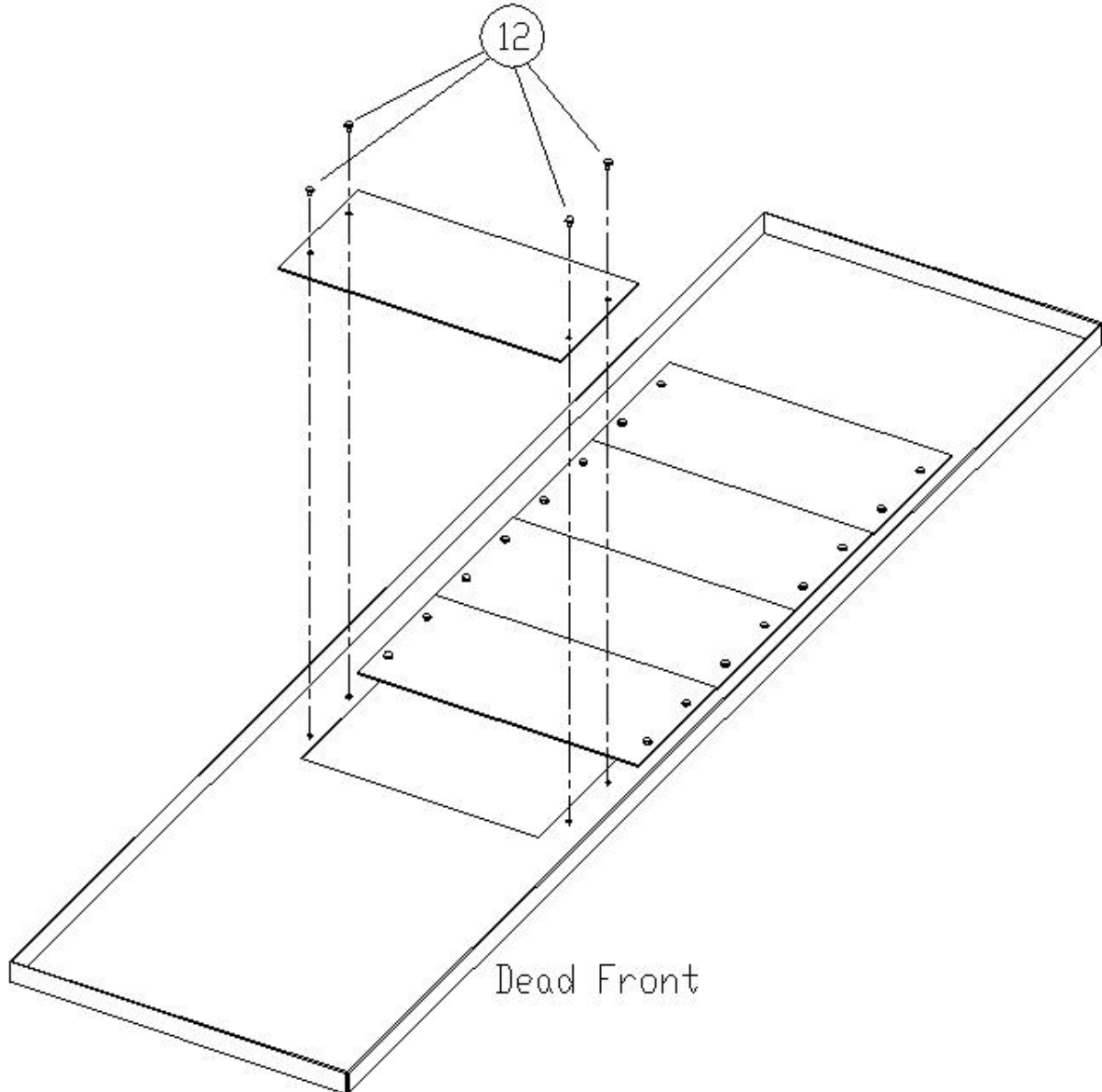


Figure 2. Removing the shield inserts from the shield for SE/TED breaker installation in A-Series® II Panelboards.

10. Place the filler plate [11] over the dead front so that the four same-size holes line up with the threaded holes of the dead front, as illustrated in Figure 3. Fasten filler plate to the dead front with four #10-32 x  $\frac{3}{8}$  screws [12] tightened to 27-36 in-lb.
11. Reattach the dead front to the interior with the 8 screws removed in step 2. Tighten the screws to 27-36 in-lb.

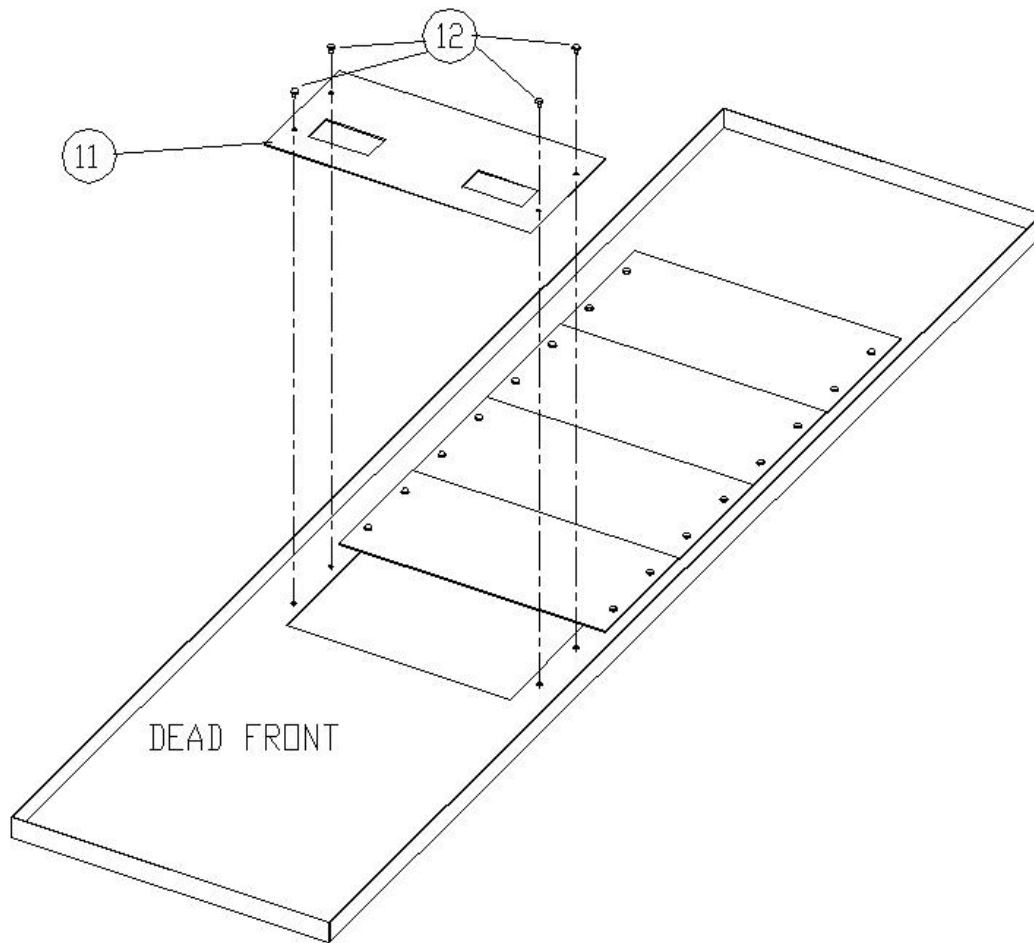


Figure 3. Attaching the shield insert to the shield for SE/TED breaker installation in A-Series® II Panelboards.

12. If SE/TED breaker has to be installed after SG or SF/TFJ or FB as shown in Figure 4 then gap between the breakers (dim A) has to be followed as mentioned in Table 2. Replace the subsequent blank filler of dead front with SE/TED filler plate given in kit ASPP6SE6D using steps 9 to 11.
13. If SE/TED breaker has to be installed immediate after crossbar as shown in Figure 5 then gap between the breaker and crossbar has to be 0.0575inch.

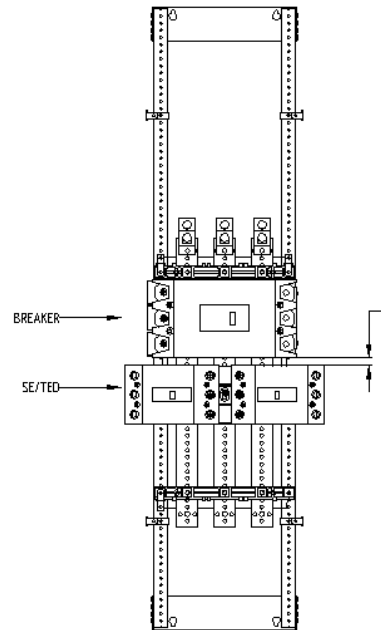


Figure 4. Distance between breakers

Gap with Breaker	A (in)
SG	0.582
SF/TFJ	1.875
TQD	0

Table 2. Distance between breakers.

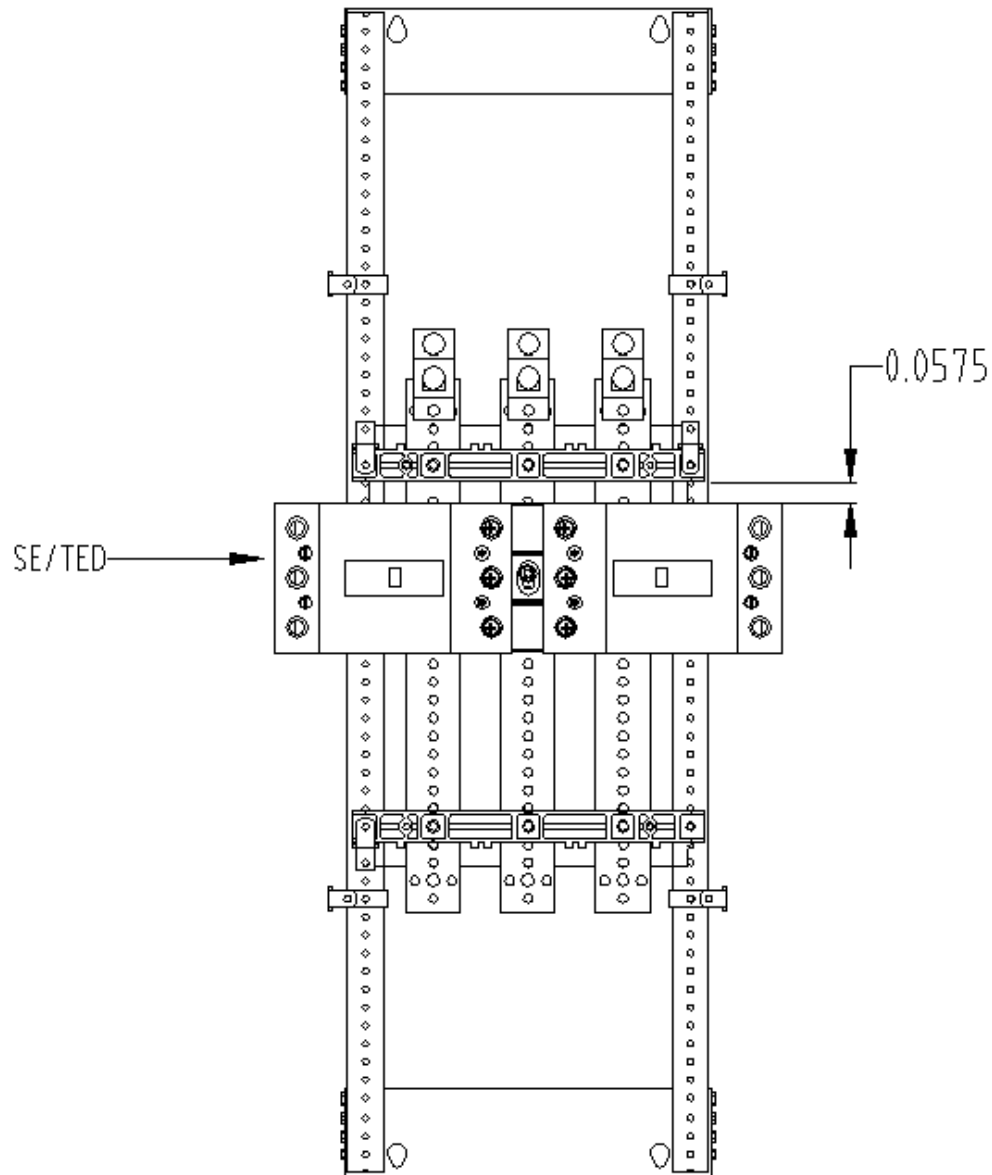


Figure 5. Distance between Crossbar and SE/TED breaker

These instructions do not cover all details or variations in equipment nor do they provide for every possible contingency that may be met in connection with installation, operation, or maintenance. Should further information be desired or should particular problems arise that are not covered sufficiently for the purchaser's purposes, the matter should be referred to the GE Company.