



Main

Range of product	Zelio Relay
Product or component type	Solid state relay
Device short name	SSM1
Number of phases	1 phase

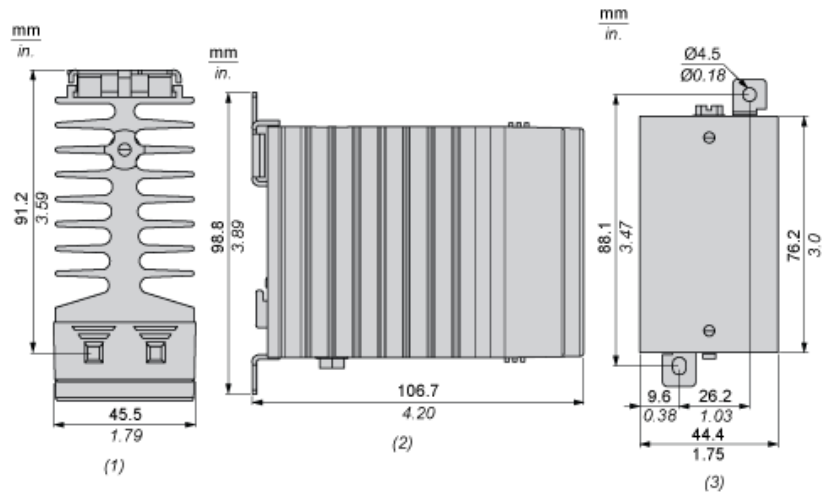
Complementary

Mounting support	Symmetrical DIN rail
[In] rated current	55 A
Output voltage	48...660 V AC
Control circuit voltage	90...140 V AC
Contacts type and configuration	1 NO
Tightening torque	1.36...1.7 N.m for output 0.6...0.7 N.m for input
Connections - terminals	Screw terminals : 1 x 0.2...1 x 8.4 mm ² , (AWG 24...AWG 8) for output Screw terminals : 1 x 0.2...1 x 3.3 mm ² , (AWG 24...AWG 12) for input
Maximum capacitance	<= 8 pF for input/output
Insulation resistance	1000 MOhm at 500 V DC
Local signalling	LED green for input status
Switching voltage	10 V AC turn-off 90 V AC turn-on
Input current	15 mA at 120 Vrms
Solid state output type	Zero voltage switching SCR output
Load current	0.15...55 A
Transient overvoltage	1200 V
Surge current	<= 1000 A for 16.6 ms
Voltage drop	1.7 V on-state
Maximum I ² t for fusing	4150 A ² .s for 8.3 ms
Leakage current	<= 1 mA off-state
DV/Dt	500 V/μs off-state at maximum voltage
Response time	40 ms turn-off 10 ms turn-on
Overvoltage category	III
Product weight	0.476 kg

Environment

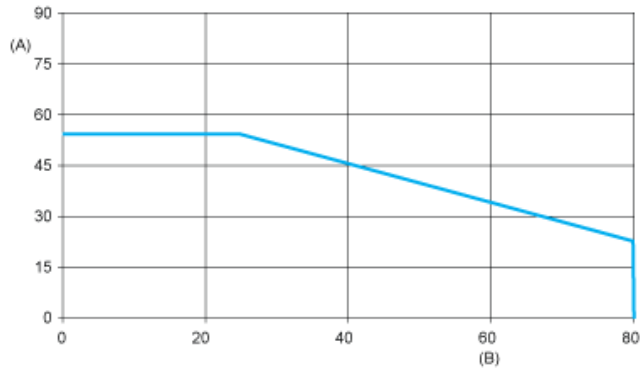
Dielectric strength	4 kV AC for input or output to case 4 kV AC for input/output
Pollution degree	2
Standards	UL 508 IEC 60950-1 CSA C22.2 No 14
Product certifications	CSA UL EAC
Marking	CE CSA UL EAC
IP degree of protection	IP20
Ambient air temperature for operation	-40...80 °C
Ambient air temperature for storage	-40...125 °C

Dimensions



- (1) Top view
- (2) Side view
- (3) Front view

Derating Curves



A : Load Current (Amperes)
B : Ambient Temperature (°C)