

# Itron Intelis Water Meter

The Core of Our Water Management Platform



The Itron Intelis water meter completes Itron's full suite of end-to-end smart water management solutions for North America and, in turn, presents utilities with the opportunity to maximize the value of existing smart water investments. The latest ultrasonic solid-state solution utilizes edge intelligence to track flow usage patterns at the meter level, setting a new standard in intelligent water metering. Intelis combines ultrasonic measurement technology with a standard encoder protocol to help water utilities in revenue protection. With no moving parts, the Intelis lowers maintenance costs and provides accurate measurement over the entire product life.

## FEATURES AND BENEFITS

- » High accuracy & repeatability
- » Low pressure drop
- » No metering of air
- » Insensitive to sand or other particles in water
- » High resolution industry standard encoder protocol
- » Water temperature measurement
- » Nine digit LCD display with consumption, rate of flow, tamper alarm, empty pipe, real-time backflow, leakage, reversed meter, battery life alerts
- » 20-year battery life
- » IP68

## TECHNOLOGY

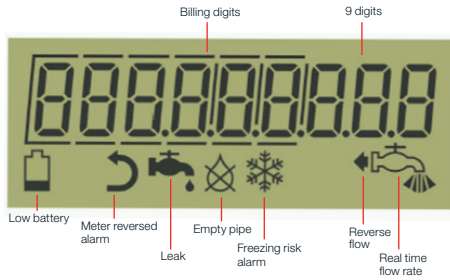
- » High-end static technology for revenue protection
  - Highly accurate measurement of consumption, leak and air detection
  - Long life, low unplanned maintenance costs
  - Resistant to debris
- » Monitoring intelligence
  - Water management efficiency
  - Flow profile, backflow and tampering alarms; able to monitor usage patterns, peak flow and empty pipe notification; reports backflow consumption, abnormal consumption
- » Installations
  - Any position
  - Direct sunlight exposure
  - Tamper resistant thanks to integrated construction & insensitive to magnetic fields

## CONSTRUCTION

The meter body is made of high-grade Polyphthalamide (PPA) high-performance polyamide. PPA based resins are molded into parts used to replace metal parts in high-temperature and high-stress environments. This PPA meter body's strength, chemical resistance, fatigue resistance and moisture absorption is comparable to that of traditional bronze metal bodies.

## APPROVAL AND STANDARDS

- » AWWA C715 Standards (pending)
- » NSF/ANSI Standard 61, Annex G (pending)



### ENVIRONMENTAL ECO-DESIGN

Ittron has adopted an eco-design approach. Eco-design consists of taking the environmental impact of a product into account over the whole of its lifecycle and in relation to various environmental aspects, while maintaining its functionality.

The Intelis was designed to provide our customers with a more environmentally

friendly product. A lifecycle assessment study was carried out to meet this challenge.

The recycling process has been optimized by creating a product that is easy to dismantle into separate components.

### MULTIFUNCTION DISPLAY

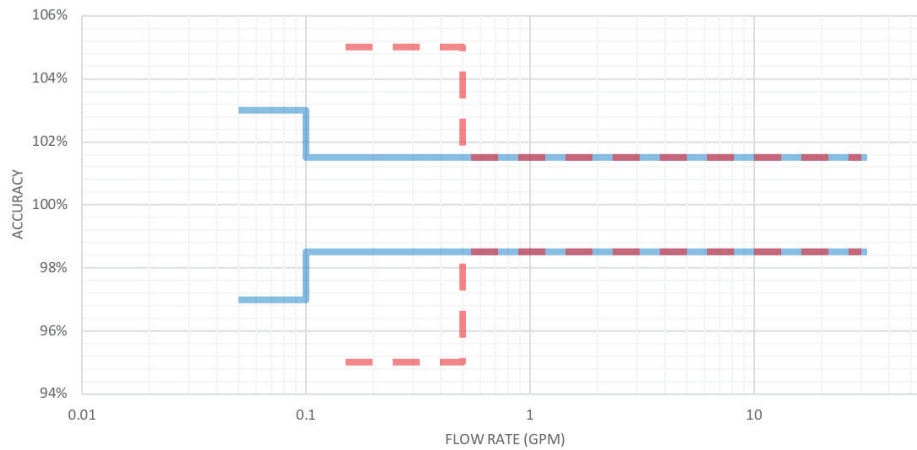
- » Easy-to-read display
- » Visual alarms

### SPECIFICATIONS

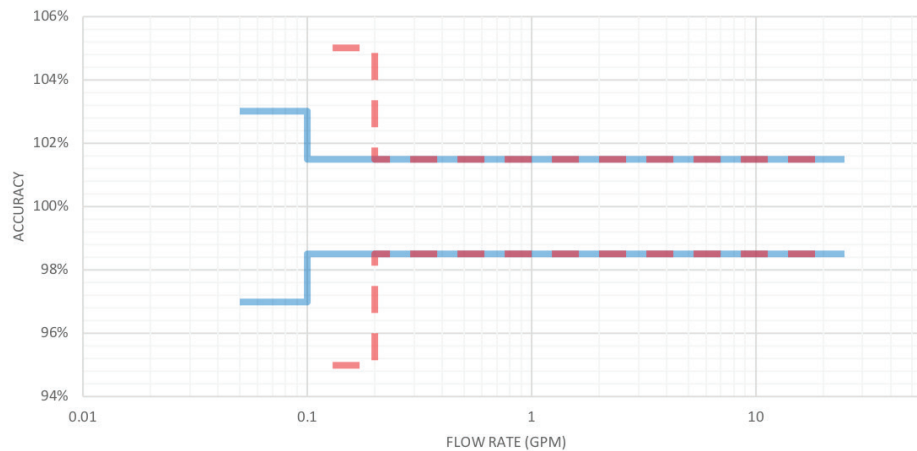
Meter Size	Flow Rate (GPM)			Pressure Loss (PSI)		Temperature Ranges
	Low Flow $\pm 3\%$	Normal operating range $\pm 1.5\%$		PSI	GPM	
5/8"	0.05	0.10	25	5.2	15	Water Temperature Range: Operating: 33°F to 140°F (0.5°C to 60°C) Specified Accuracy: 33°F to 86°F (0.5°C to 30°C) Ambient Temperature Range: Operating: 33°F to 140°F (0.5°C to 60°C) Storage: -4°F to 140°F (-20°C to 60°C)
5/8" x 3/4"	0.05	0.10	25	2.3	15	
3/4" Short	0.05	0.10	32	2.3	15	
3/4"	0.05	0.10	32	2.3	15	

### METER ACCURACY

3/4" - AWWA C715 vs Intelis

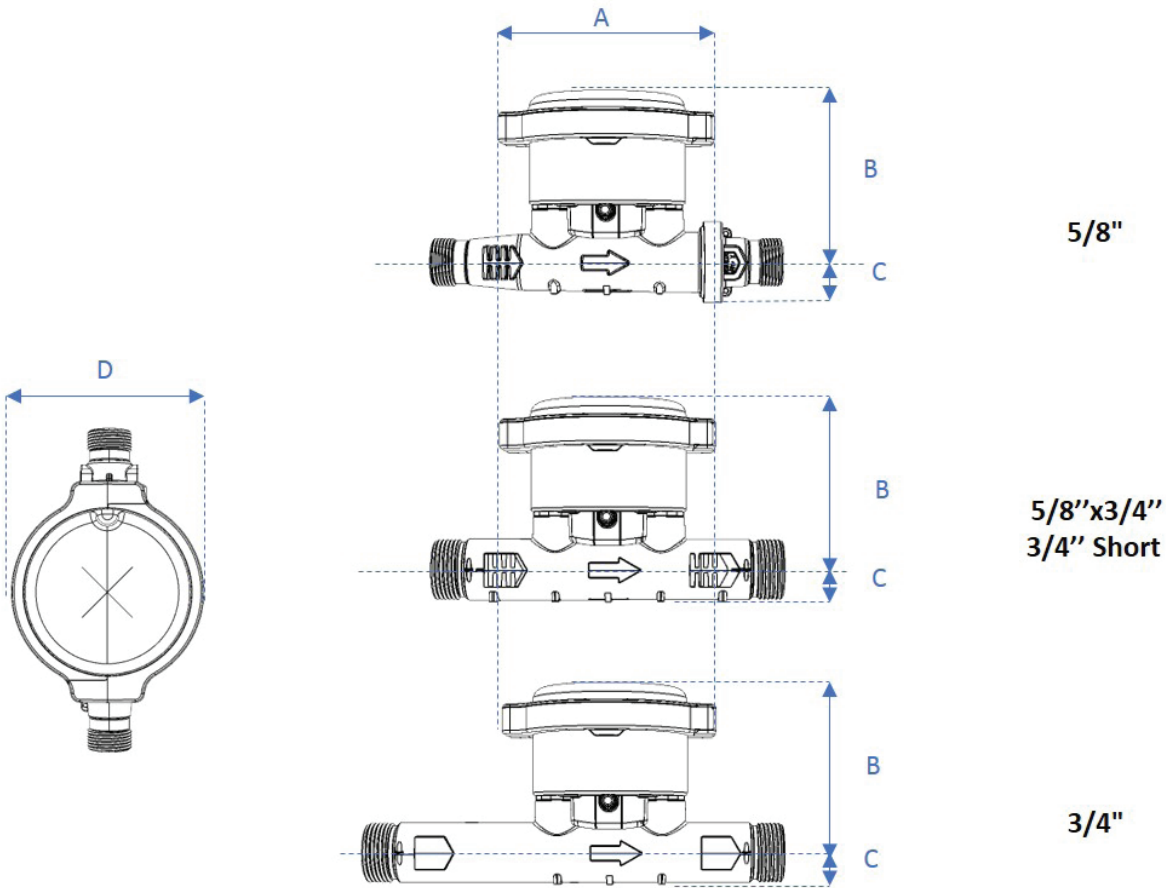


5/8" - AWWA C715 vs Intelis



**DIMENSIONS**

Meter Size	Lay Length	A	B	C	D	NPSM Thread
5/8" (DN 15mm)	7-1/2" (190mm)	4-9/16" (116 mm)	3-1/2" (90 mm)	1" (25 mm)	4" (100 mm)	3/4" (19 mm)
5/8"x3/4" (DN 15mm)	7-1/2" (190mm)	4-9/16" (116 mm)	3-1/2" (90 mm)	13/16" (20 mm)	4" (100 mm)	1" (25 mm)
3/4" Short (DN 15mm)	7-1/2" (190mm)	4-9/16" (116 mm)	3-1/2" (90 mm)	13/16" (20 mm)	4" (100 mm)	1" (25 mm)
3/4" (DN 15mm)	9" (229mm)	4-9/16" (116 mm)	3-1/2" (90 mm)	13/16" (20 mm)	4" (100 mm)	1" (25 mm)





Join us in creating a more **resourceful world**.  
To learn more visit **[itron.com](http://itron.com)**

While Itron strives to make the content of its marketing materials as timely and accurate as possible, Itron makes no claims, promises, or guarantees about the accuracy, completeness, or adequacy of, and expressly disclaims liability for errors and omissions in, such materials. No warranty of any kind, implied, expressed, or statutory, including but not limited to the warranties of non-infringement of third party rights, title, merchantability, and fitness for a particular purpose, is given with respect to the content of these marketing materials. © Copyright 2018 Itron. All rights reserved. **101656SP-01 07/18**

**CORPORATE HQ**

2111 North Molter Road  
Liberty Lake, WA 99019 USA

**Phone:** 1.800.635.5461

**Fax:** 1.509.891.3355