

100W+

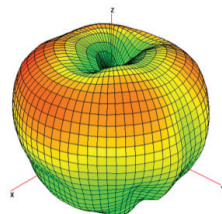
Water Communication Module and Through-the-Lid (TTL) Antenna

For water utilities whose meter pit environments are harsh and unforgiving, Itron's 100W+ ERT® communication module now comes standard with an integral port to accommodate the optional Itron TTL antenna. The TTL optimizes the read-rate reliability of Itron's advanced fixed network systems for water utilities deploying the 100W+ in conditions where flooding is common or in meter pits with RF-inhibiting lids. The TTL offers utilities unequaled flexibility to collect meter data using Itron's ChoiceConnect™ solution whether in advanced mobile AMR, Fixed Network AMI or hybrid data collection environments.

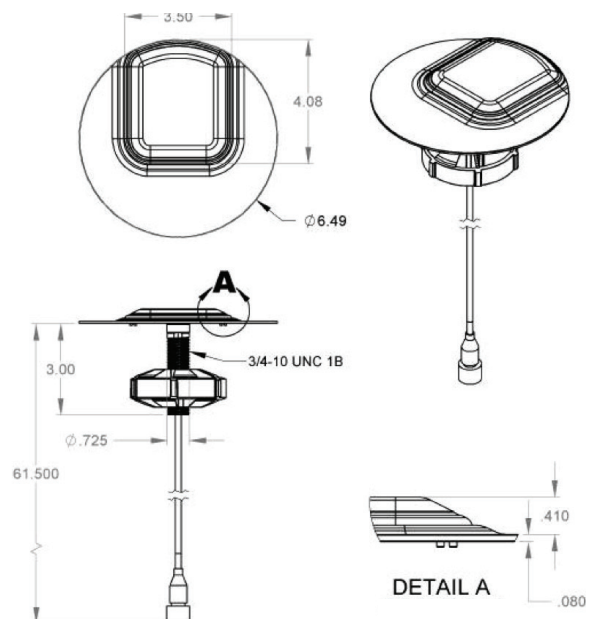
The 100W+ is powered by a proven, advanced lithium battery designed for 20 years of life in both mobile data and fixed network collection modes, providing water utilities with a proven, reliable data collection solution designed to perform now and far into the future.

FEATURES

- » Omni directional antenna for maximum performance in mobile and/or fixed network deployments
- » Integral color coded connector for efficient installation
- » TTL antenna American Disabilities Act (ADA) compliant
- » Pedestrian and incidental motor traffic rated



Omni directional performance



INSTALLING THE TTL ANTENNA

The TTL antenna provides optimal ERT module performance where pit boxes with metal lids are in use. The TTL antenna is designed to fit in a pit lid hole with diameters from 3/4" to 1 3/4" and lid thicknesses from 1/4" to 2". The TTL antenna attaches to the 100W+ or 100WP+ ERT module using the red integral connector.

Below is the list of 100W+ and 100WP+ remote antenna ERT models:

A	100W+ encoder ERT module with optional remote antenna and register integral connectors	ERW-1300-302 ERW-1300-402
B	100W+ encoder ERT module with optional remote antenna, Leak Sensor, and register integral connectors	ERW-1300-303 ERW-1300-403
C	100WP+ pulser ERT module with optional remote antenna and register integral connectors	ERW-1300-308 ERW-1300-408
D	100WP+ pulser ERT module with optional remote antenna, Leak Sensor, and register integral connectors	ERW-1300-309 ERW-1300-409

INDUSTRY CANADA CONFORMITY

This radio transmitter (IC:864D-100WC) has been approved by Industry Canada to operate with the antenna types listed below with the maximum permissible gain and required antenna impedance for each antenna type indicated. Antenna types not included in this list, having a gain greater than the maximum gain indicated for that type, are strictly prohibited for use with this device.

Le présent émetteur radio (IC: 864D-100WC) a été approuvé par Industrie Canada pour fonctionner avec les types d'antenne énumérés ci-dessous et ayant un gain admissible maximal et l'impédance requise pour chaque type d'antenne. Les types d'antenne non inclus dans cette liste, ou dont le gain est supérieur au gain maximal indiqué, sont strictement interdits pour l'exploitation de l'émetteur.

Specification

Part Number	CFG-0900-003
Gain	6.9 dBi
Horizontal Beamwidth	Omni-directional
Impedance	50 ohms
Termination	Proprietary

A, C



B, D



Join us in creating a more **resourceful world**.
To learn more visit **itron.com**

While Itron strives to make the content of its marketing materials as timely and accurate as possible, Itron makes no claims, promises, or guarantees about the accuracy, completeness, or adequacy of, and expressly disclaims liability for errors and omissions in, such materials. No warranty of any kind, implied, expressed, or statutory, including but not limited to the warranties of non-infringement of third party rights, title, merchantability, and fitness for a particular purpose, is given with respect to the content of these marketing materials. © Copyright 2015 Itron. All rights reserved. **101236MP-03 08/15**

CORPORATE HQ

2111 North Molter Road
Liberty Lake, WA 99019 USA

Phone: 1.800.635.5461

Fax: 1.509.891.3355