

BAR STOCK, VAN STONE FLANGE CONNECTION

How to build a part number:

To order an Applied Sensor Technologies thermowell, select the requirements for the categories listed below and fill in the corresponding boxes with your selection. Don't see exactly what you need? Give us a call!

PROCESS CONNECTION	STYLE	BORE	INSERTION LENGTH	WELL MATERIAL	FLANGE MATERIAL	FLANGE RATING	OPTIONS

PROCESS CONNECTION (P)

- 3** – 1" pipe (OD = 1.315", R = 2")
- 5** – 1-1/2" pipe (OD = 1.90", R = 2-7/8")

STYLE

VS – Van Stone Flange, straight stem with step

BORE

- 260** – 0.260" bore (Q = 3/4")
- 385** – 0.385" bore (Q = 7/8")

INSERTION LENGTH (in inches)*

U# – Specify length below the flange (e.g., U4 = 4")

Standard lengths:

- U2** – U=2"; L=4"
- U4** – U=4"; L=6"
- U7** – U=7"; L=9"
- U10** – U=10"; L=12"
- U13** – U=13"; L=14"
- U16** – U=16"; L=18"
- U22** – U=22"; L=24"

Specify other (U = L-2")

WELL MATERIAL

- – 304 stainless steel
- 310** – 310 stainless steel
- 316** – 316 stainless steel
- INC** – Inconel 600®
- 321** – 321 stainless steel
- ALUM** – Aluminum
- HAST** – Hastelloy C®
- TTNM** – Titanium
- 316L** – 316L stainless steel
- 400** – Monel 400®
- CS** – Carbon steel
- F11** – F11 carbon steel (forged)
- F22** – F22 carbon steel (forged)
- F91** – F91 carbon steel (forged)
- A20** – Alloy 20
- BRASS** – Brass

FLANGE MATERIAL

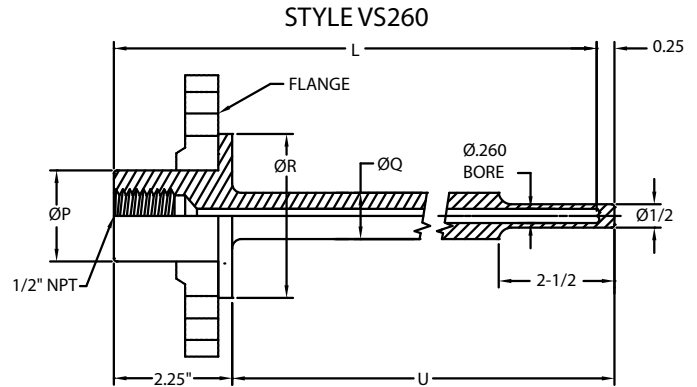
- 304** – 304 stainless steel
- 316** – 316 stainless steel

FLANGE RATING

- 150** – 150# rating
- 300** – 300# rating
- 600** – 600# rating
- 900/1500** – 900/1500# rating

OPTIONS

- TW01** – Stainless steel cap and chain assembly
- TW02** – Brass cap and chain assembly
- TAG2** – Stamped tag #
- MTR1** – Material Test Report
- WFC1** – Wake Frequency Calculations
- TFLN** – Teflon coating



(*) Thermowells with an overall length of 42" or less are machined from SOLID BAR STOCK. Thermowells with an overall length greater than 42" are constructed using a welded design and are available in straight, stepped or tapered design. However, for tapered only the last 16" are tapered.

Inconel® and Monel® are registered trademarks of Special Metals Corp.
Hastelloy® is a registered trademark of Haynes Int'l.