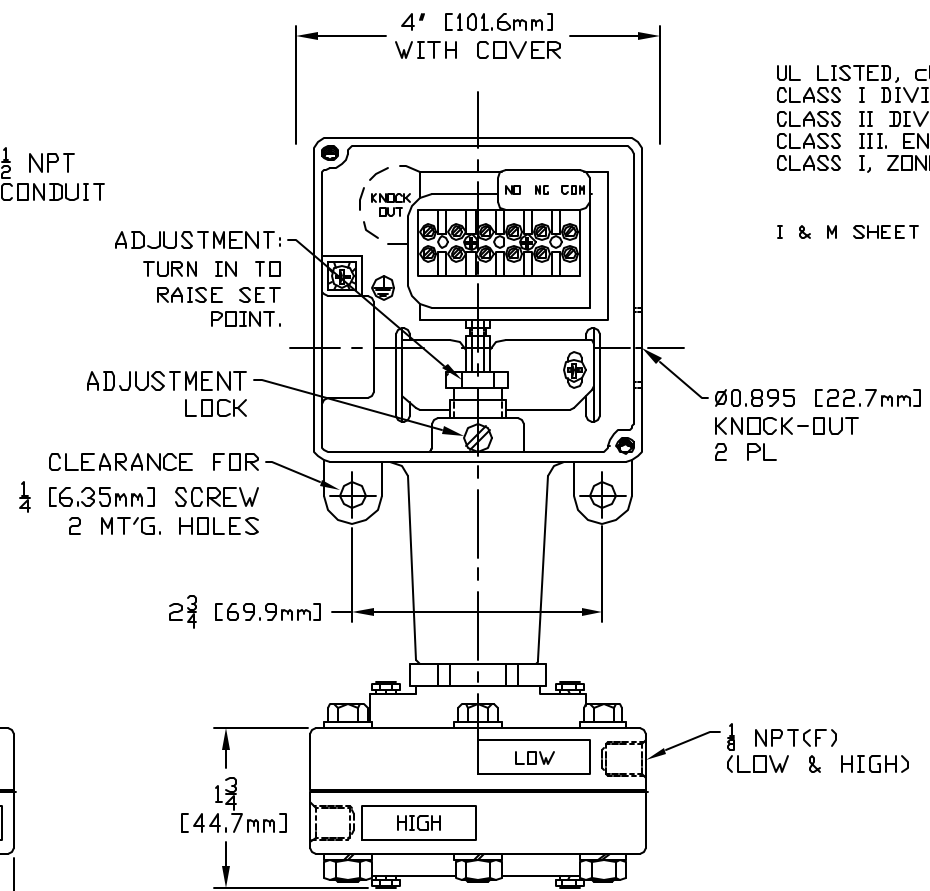
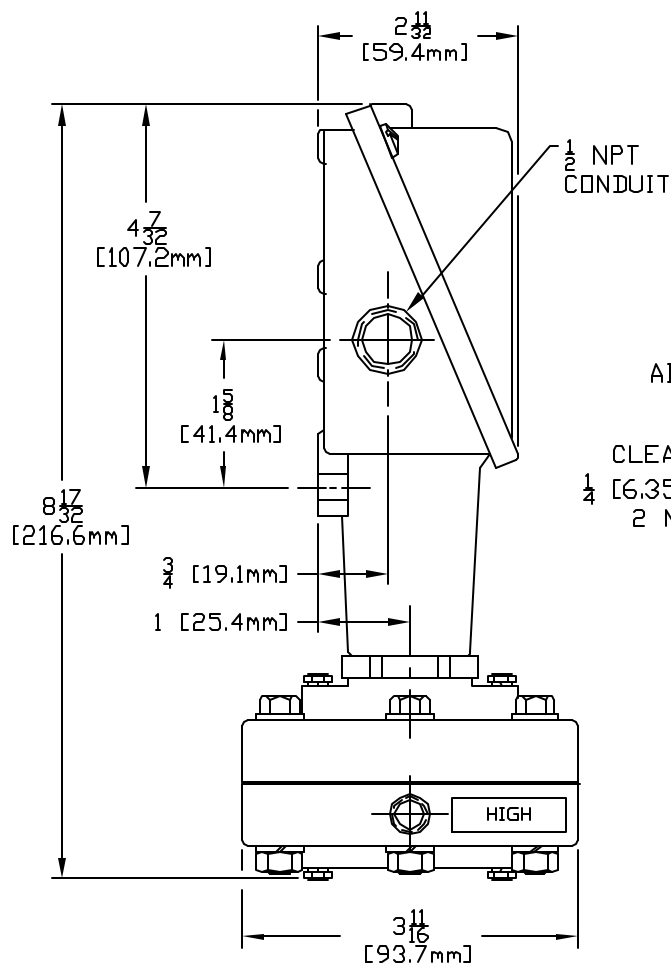


A-13477



UL LISTED, cUL CERTIFIED.
 CLASS I DIVISION 2, GROUPS A, B, C, D.
 CLASS II DIVISION 2, GROUP F, G.
 CLASS III. ENCLOSURE TYPE 4X
 CLASS I, ZONE 2, GROUP IIC T6

I & M SHEET IMP117.

COVER REMOVED IN FRONT VIEW

548	100 TO 500	6.9 TO 34.5
547	50 TO 250	3.4 TO 17.2
546	10 TO 125	0.7 TO 8.6
545	5 TO 50	0.3 TO 3.4
544	2 TO 20	137.9 TO 1379 mbar
MODEL NO.	psid	bar
	ADJUSTABLE RANGE	
	LOW END OF RANGE ON FALL	
	HIGH END OF RANGE ON RISE	

NOTE: AGENCY CRITICAL DRAWING, NO MODIFICATIONS ALLOWED WITHOUT REFERENCE TO APPROVAL AGENCIES.

SYM	DESCRIPTION	DATE	DVN	APPD
D	CHANGED kPa TO bar. ECN#E0047	10-23-02	S.R.	H.N.
C	REVISED VIEW OF TERMINAL BLOCK & SPECS. ECN#C8438	11-22-99	S.R.	V.P.D.
B	CERTIFICATION WAS CSA. REQUIREMENT NOTE WAS NEMA 4X, 7, 9. ECN#C7775	12-3-98	P.V.	S.F.
A	FIRST ISSUE. ECN#C7678	10-28-98	P.W.	L.K.

ORIGINAL DATE	10-27-98
DRWN	PETER WEILER
CHKD	A. BARTER
APPD	L. KHATCHADOURIAN
UNLESS OTHERWISE SPECIFIED DIMENSIONS ARE IN INCHES	
DO NOT SCALE THIS DRAWING	

TITLE	H117K 544 - 548
SCALE	HALF

DF001D
UE UNITED ELECTRIC CONTROLS COMPANY WATERTOWN * MASSACHUSETTS
DWG NO A-13477