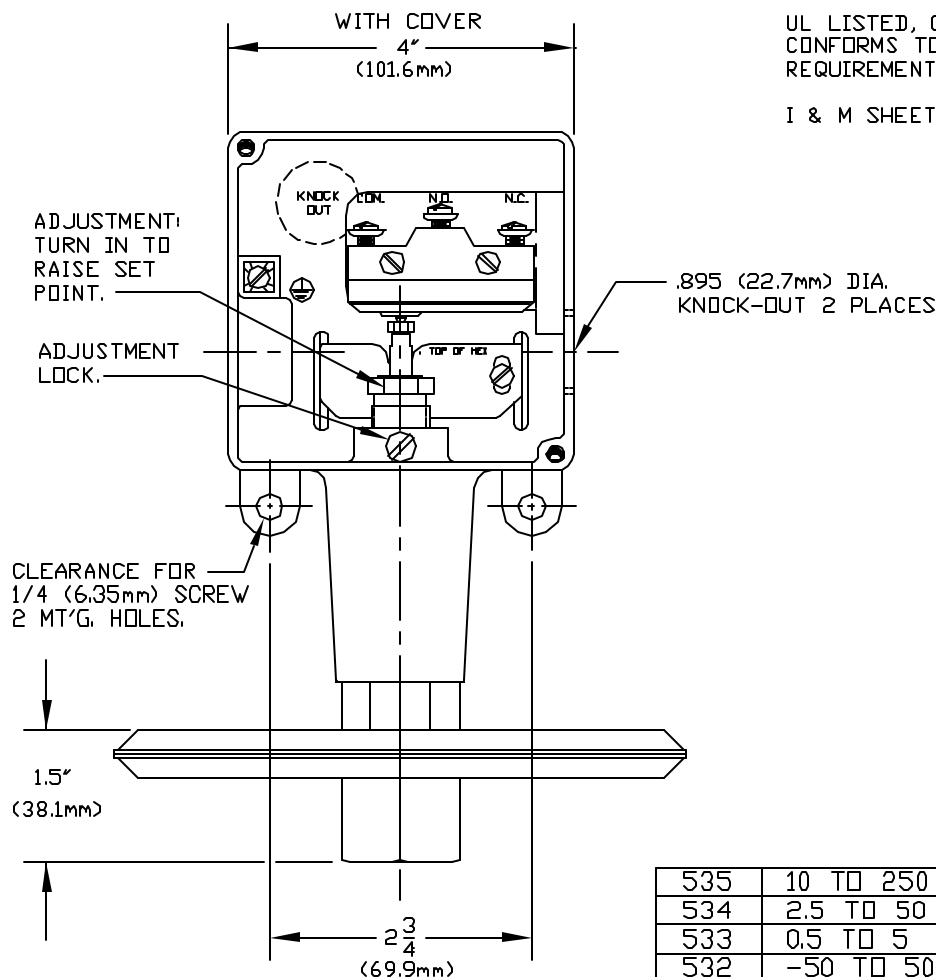
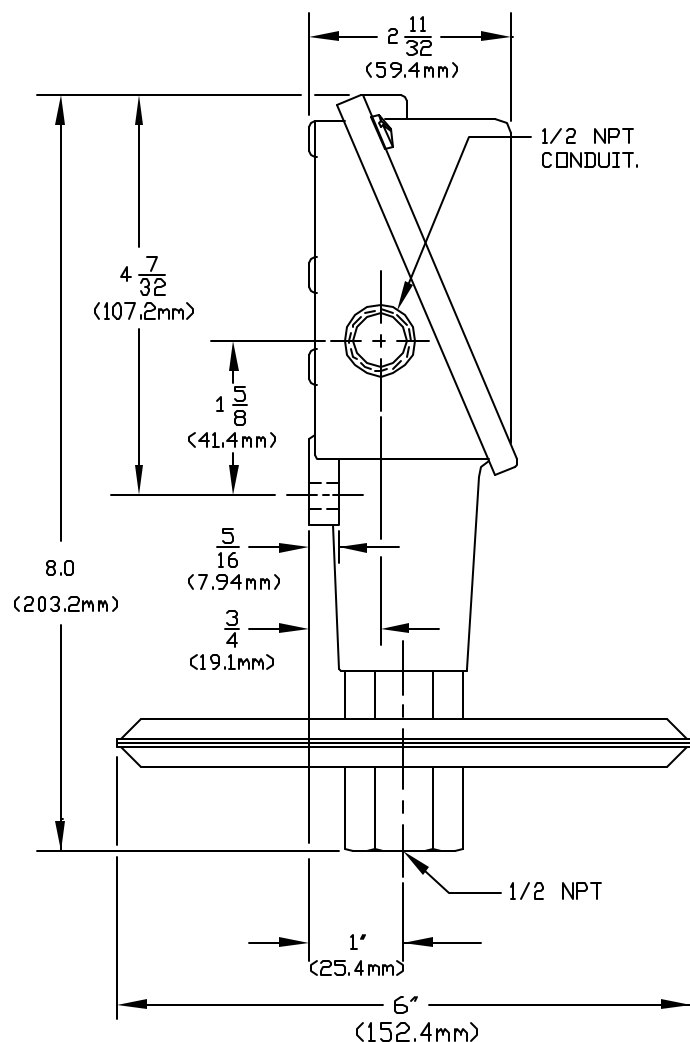


UL LISTED, CSA CERTIFIED.
CONFORMS TO NEMA 4X & IP65
REQUIREMENTS.

I & M SHEET IMP100.



535	10 TO 250	24,91 TO 622,70
534	2.5 TO 50	6,23 TO 124,54
533	0.5 TO 5	1,25 TO 12,45
532	-50 TO 50	-124,54 TO 124,54
531	-10 TO 10	-24,91 TO 24,91
530	-300 TO 0	-747,24 TO 0
MODEL NO.	WC	mBAR
	ADJUSTABLE RANGE	
	LOW END OF RANGE ON FALL	
	HIGH END OF RANGE ON RISE	


SYM	DESCRIPTION	DATE	DWN	APPD
D	ADDED 1" (25.4mm) & 5/16 (7.94mm) DIMENSIONS. ECN#C6848	10-31-97	P.W.	AM.
C	DELETED WASHER ON "M" DRAWING. ECN#C5050	11-21-95	P.W.	L.K.
B	REV. COVER SCREW AND ADDED "D" RING ON "M" DWG. ECN#C4972	11-10-95	A.E.	J.S.M.
A	FIRST ISSUE ECN#C3315	4-26-94	A.E.	L.K.

REVISIONS

ORIGINAL DATE	4-20-94
DRWN	A. EBALD
CHKD	PETER WEILER
APPD	L.KHATCHADOURIAN
UNLESS OTHERWISE SPECIFIED	
DIMENSIONS ARE IN INCHES	
TOLERANCES ON FRACTIONS ±1/64	
2 PLACE DEC 3 PLACE DEC ANGLES	
±.010 ±.005 ±1/2°	
DO NOT SCALE THIS DRAWING	

TITLE	H100
SCALE	HALF

DF1



UNITED ELECTRIC
CONTROLS COMPANY
WATERTOWN * MASSACHUSETTS

DWG NO
A-12965